

**Create
your own
space
at any
location**

FRAMEHOUSE

by Floris Schoonderbeek

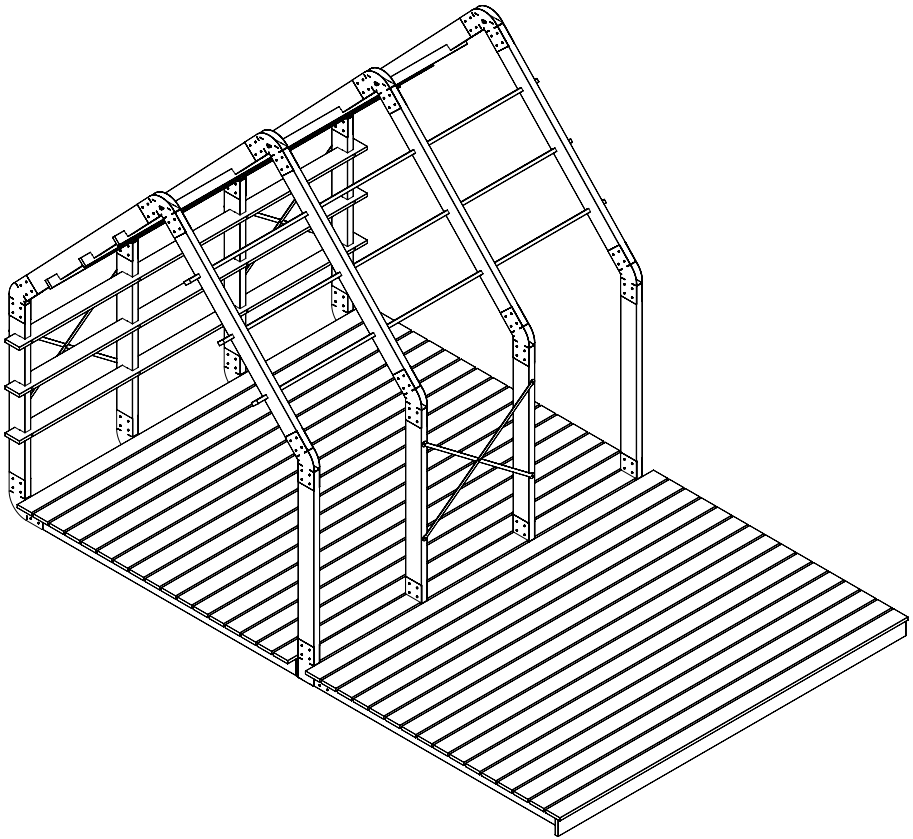
ENG

Congratulations on purchasing this Weltevree Framehouse!

Congratulations on purchasing the Weltevree Framehouse! This manual contains helpful information on the Framehouse, such as information about the product characteristics, assembly, warranty and maintenance.

The Framehouse is designed by Floris Schoonderbeek. Floris initially designed the construction with the purpose of a hideaway at a busy exhibition. "The soft curves of the connections, the wooden material and the house-like shape are friendly and inviting. At the same time it makes the construction easy to assemble and adjust it to your needs." According to the designer, that's what the Framehouse offers most of all: a feeling of flexibility. Floris: "It offers the possibility to create your own space at any location. It's completely open to change. You can easily adjust its placement, furnishing and purpose."

SPECIFICATIONS



Framehouse

Material

Connectors

Galvanized steel

Wood

Larch wood

Fasteners

Galvanized steel & stainless steel

Maintenance

The Framehouse is made of untreated larch wood. Over time, the Framehouse will get more grey and rough. This is a natural process and occurs under the influence of sunlight and the shrinkage and

expansion of the wood. The aging process gives the house a tough and robust appearance. The steel will lose its shine over time and get a more matte appearance.

One of the characteristics of larch wood is that it has a lot of resin in it. The resin protects the tree from diseases. The disadvantage of using wood with a lot of resin is that it can cause stains. Fortunately, the resin is easily removable from both the Framehouse and clothing with white spirit.

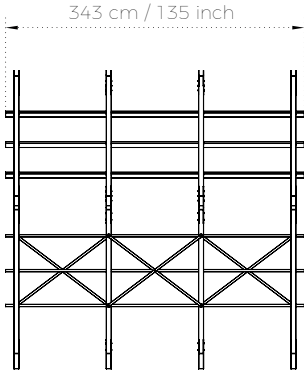
The aging process can be delayed by treating the wood with a natural wood stain with UV-filter. Unlike a

varnish, wood stain is easy to maintain. If the Framehouse is treated, maintenance depends on the type of coating used to treat it.

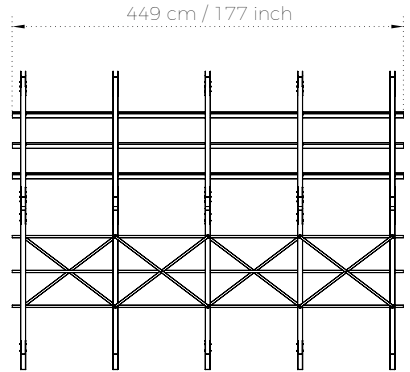
Use a hard brush and water with a mild soap to clean the wood of the Framehouse. Do not use a pressure cleaner to clean the Framehouse.

DIMENSIONS

Framehouse 4 arcs

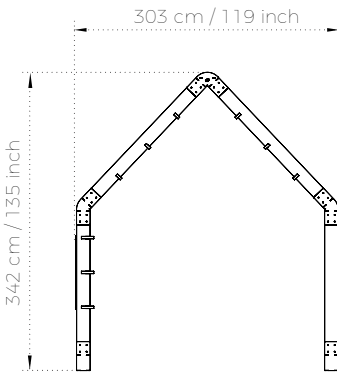


Framehouse 5 arcs

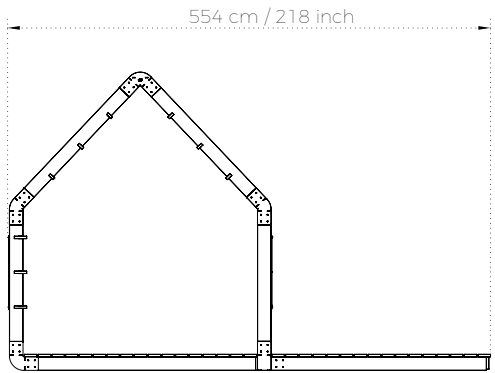


Both 4 and 5 arc Framehouses are available in the following configurations:

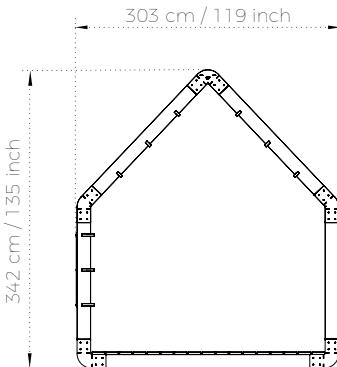
Framehouse base



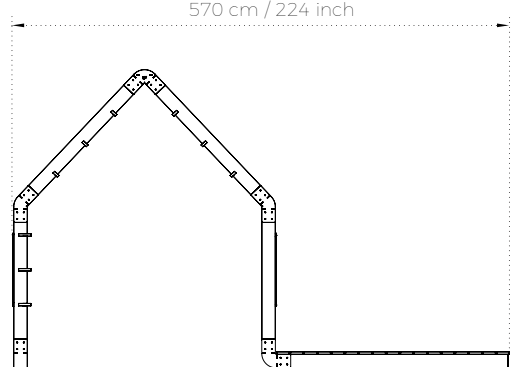
Framehouse floor inside & outside



Framehouse floor inside

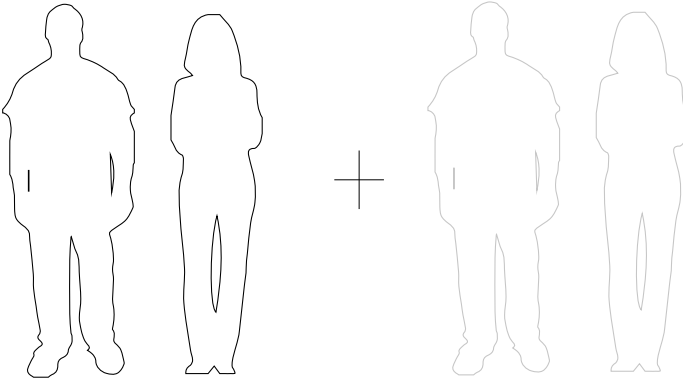


Framehouse floor outside



NECESSITIES

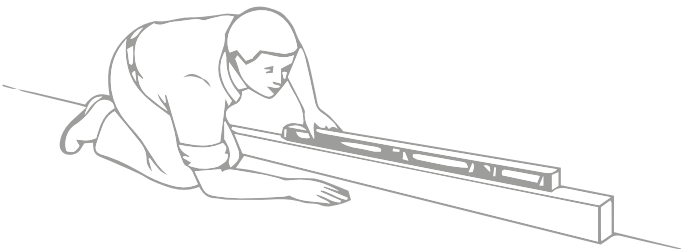
Most of the building can be done with just two people. However, while raising the arcs it is advised to have some extra help available.



Make sure you have the following tools available:

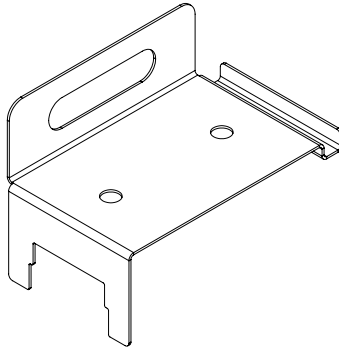
tools	amount needed
ladders to reach a height of at least 3 meters	two is advised
powerdrill	at least one (two is advised)
10 mm socket bit for powerdrill	one for each powerdrill available
torx 25 drill bit (not needed for base version)	one for each powerdrill available
measuring tape	one
spirit level	one
big rubber hammer	one
4 mm wood drill bit	one
20 - 32 mm drill bit	one (only for the floor inside & outside configurations)

Before building the Framehouse, make sure the surface where the Framehouse is placed is even and level. When placing the Framehouse with a platform on a field it is advised to place a root cloth underneath the floor to keep plants from growing through the platform.



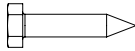
FASTENERS

Depending on the configuration, a selection of the following fasteners will be delivered:
(see the page on the right for the quantity)

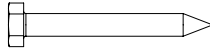


Drill tool for the floor

6 x 30 mm - wood screw



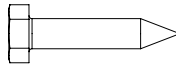
6 x 50 mm - wood screw



6 x 100 mm - wood screw



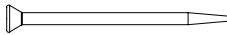
8 x 40 mm - wood screw



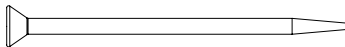
M10 x 12 mm - bolt



5 x 60 mm - wood screw



6 x 90 mm - wood screw



6 mm - ring



8 mm - ring



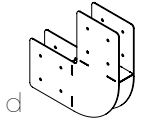
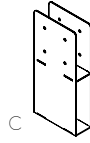
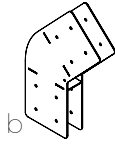
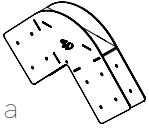
3 x 30 mm - wood screw



4 arcs	base	floor inside	floor outside	floor inside & outside	roof
Drill tool for the floor	0	2	2	2	0
6 x 30 mm - wood screw	256	320	288	288	12
6 x 50 mm - wood screw	36	36	36	36	0
6 x 100 mm - wood screw	12	12	12	12	0
8 x 40 mm - wood screw	0	4	0	0	0
M10 x 12 mm - bolt	8	4	4	4	0
5 x 60 mm - wood screw	0	238	238	494	0
6 x 90 mm - wood screw	0	0	0	24	0
6 mm - ring	304	368	336	336	0
8 mm - ring	0	4	0	0	0
3 x 30 mm wood screw	0	0	0	0	96

5 arcs	base	floor inside	floor outside	floor inside & outside	roof
Drill tool for the floor	0	2	2	2	0
6 x 30 mm - wood screw	320	400	360	360	16
6 x 50 mm - wood screw	46	46	46	46	0
6 x 100 mm - wood screw	15	15	15	15	0
8 x 40 mm - wood screw	0	4	0	0	0
M10 x 12 mm - bolt	10	5	5	5	0
5 x 60 mm - wood screw	0	306	306	636	0
6 x 90 mm - wood screw	0	0	0	32	0
6 mm - ring	381	461	421	421	0
8 mm - ring	0	5	0	0	0
3 x 30 mm wood screw	0	0	0	0	128

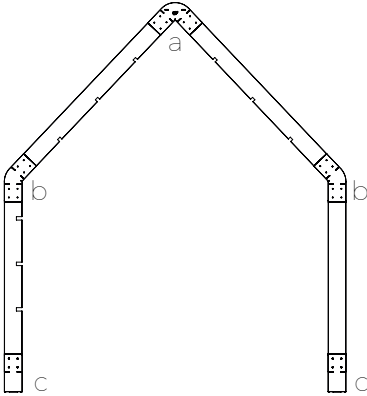
CONNECTORS



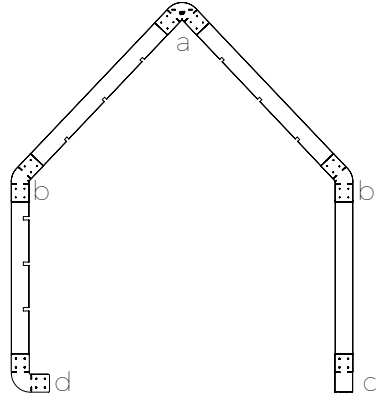
note: type c is only slightly different from type a; type a can be recognised by the cut out "W"

Depending on the chosen configuration, the following arc shape needs to be build:

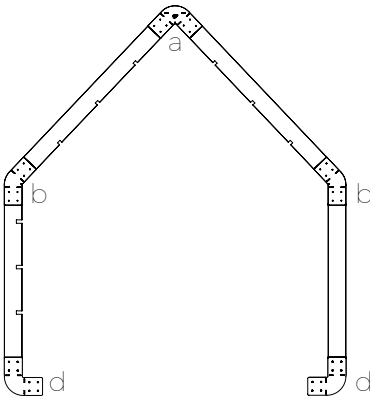
Framehouse base



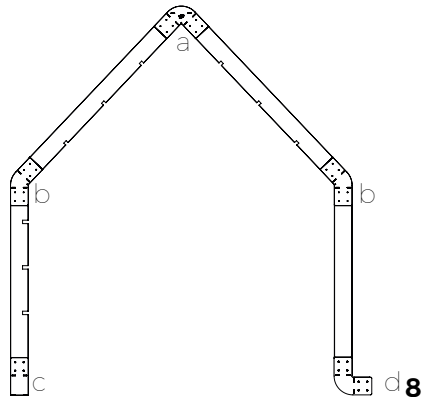
Framehouse floor inside & outside



Framehouse floor inside

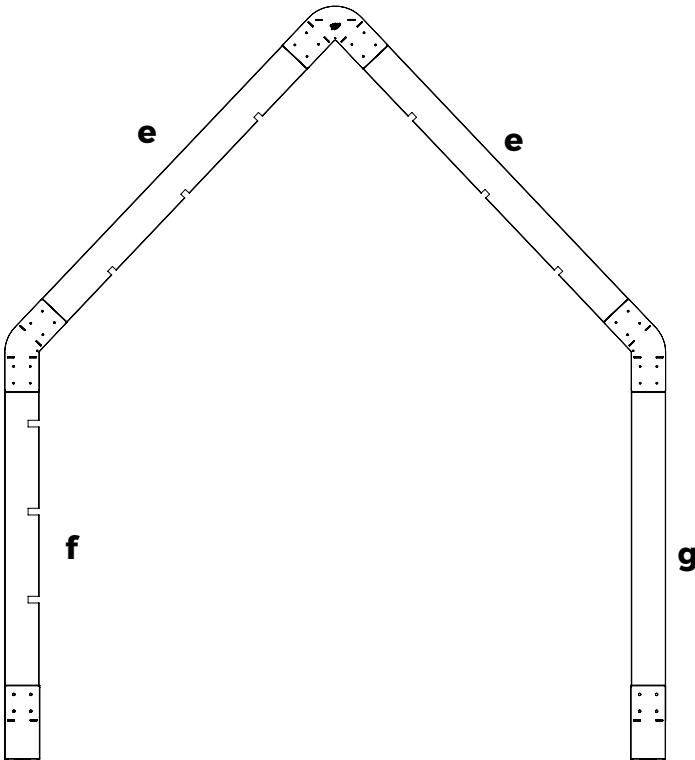
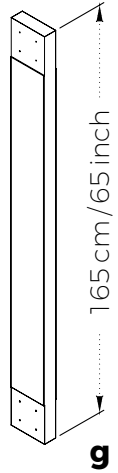
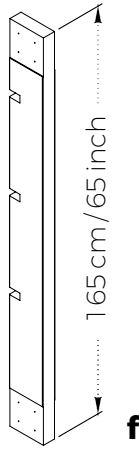
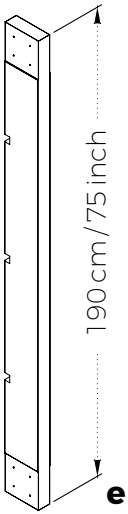


Framehouse floor outside



WOOD FOR ARCS

The beams that are used in the arcs are the following:



The position of the wood is the same for every configuration of the Frame-house

PREPARING GROUND FIXTURES

When placing the Framehouse outside, it is strongly advised to connect the Framehouse to the ground with ground anchors. There are different scenarios depending on each configuration. When placing the Framehouse indoors it is possible to use plugs to fix it to the floor. It depends on the situation if this is necessary or not.

Note: mark the area where the Framehouse will be placed before placing ground fixtures. See page 4 for the dimensions.

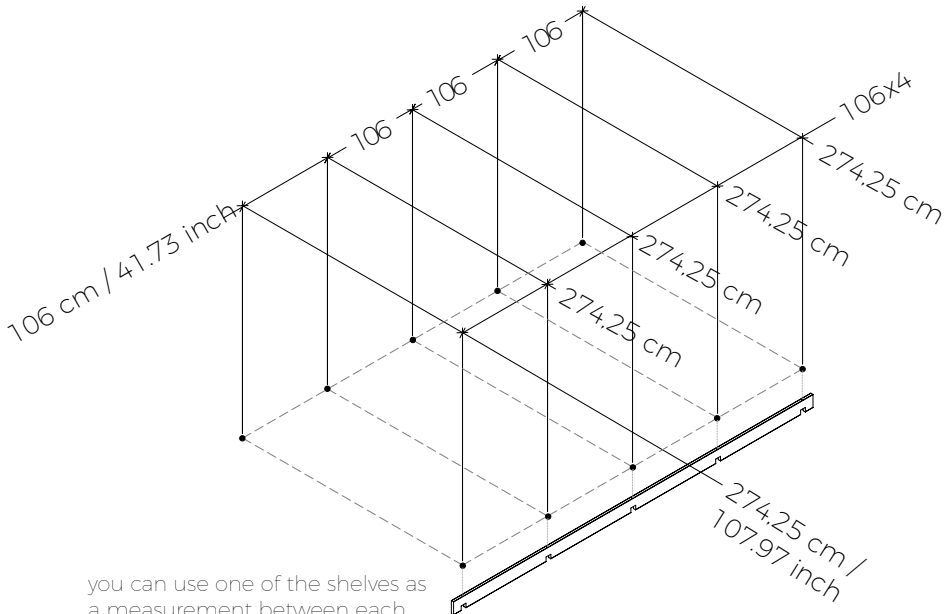
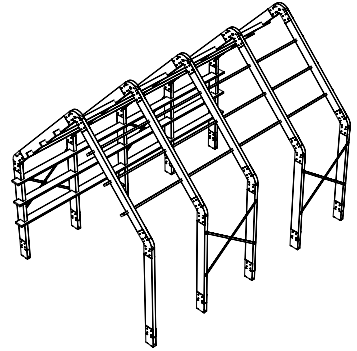
Note: make sure there is no pipe work within this area that is not at least 50 cm or 20 inches underground.

Framehouse base

For a Framehouse base, 8 or 10 anchors are needed, depending on 4 or 5 arc Framehouse. The way to prepare the ground fixtures is shown here for the 5 arc version. Just leave two out when you have a 4 arc Framehouse.

Underneath every type **c** connector, a ground anchor needs to be placed. Mark the areas using the dimensions in the drawing below.

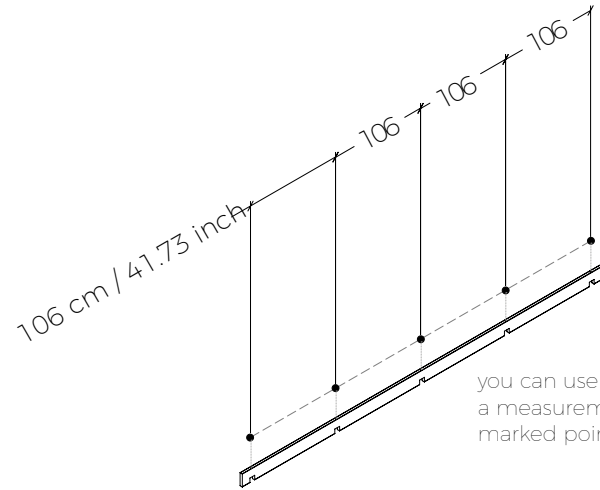
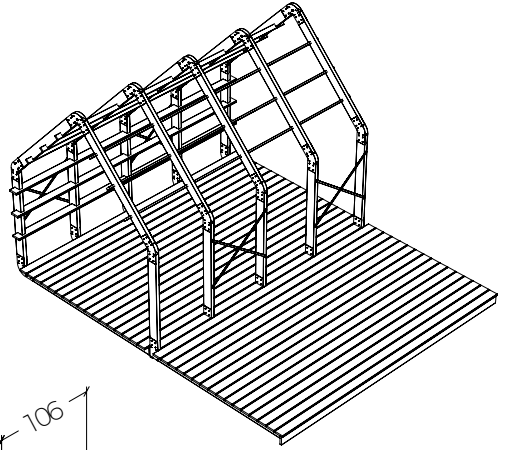
Make sure everything is measured in a straight and perpendicular line.



you can use one of the shelves as a measurement between each marked point

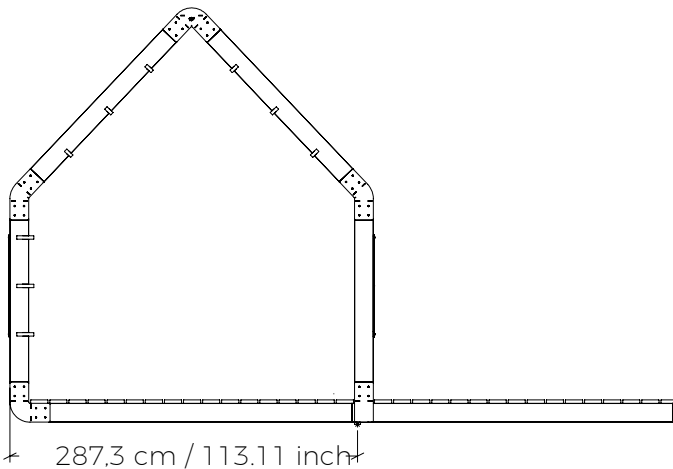
Framehouse floor inside & outside

For a Framehouse with the floor inside & outside, 4 or 5 anchors are needed, depending on a 4 or 5 arc Framehouse. The way to prepare the ground fixtures is shown here for the 5 arc version. Just leave one out when you have a 4 arc Framehouse.



you can use one of the shelves as a measurement between each marked point

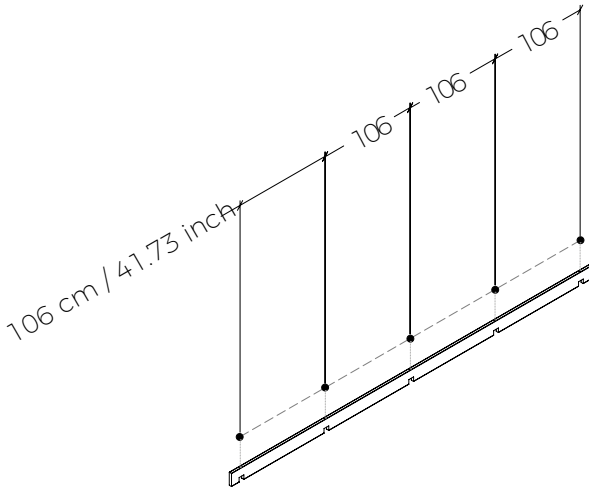
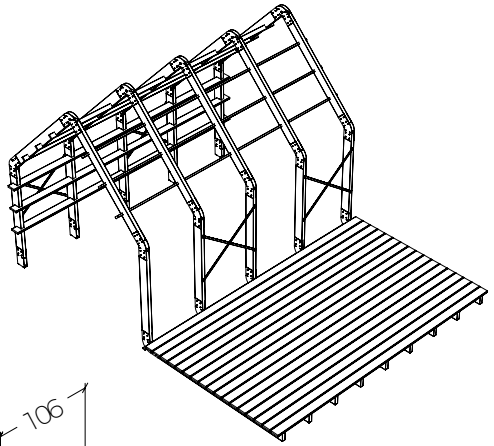
The ground anchors need to be placed 287,3 cm or 113.11 inch to the side of the marked area for the Framehouse:



Framehouse floor outside

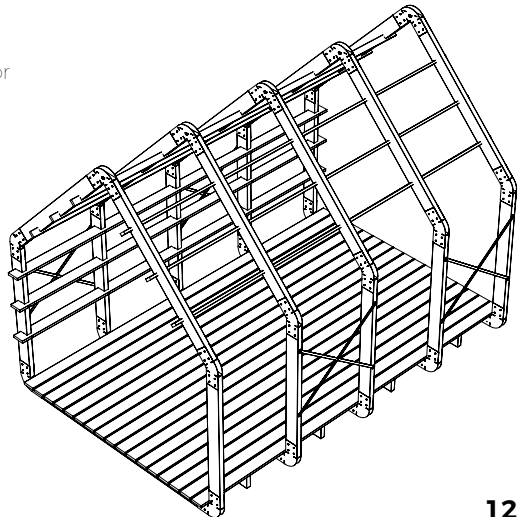
For a Framehouse with the floor outside, 4 or 5 anchors are needed, depending on 4 or 5 arc Framehouse. The way to prepare the ground fixtures is shown here for the 5 arc version. When you have a 4 arc Framehouse just leave one out.

A ground anchor needs to be placed underneath every type **c** connector. Mark the areas using the following dimensions:



Framehouse floor inside.

For the Framehouse with the floor inside, no preparation is necessary. The ground anchors for this version will be placed during the assembly of the floor.



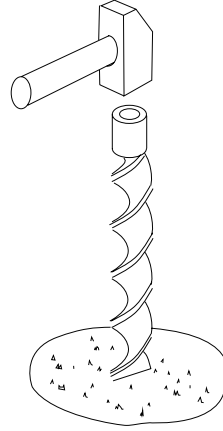
HAMMERTIME

When completely sure about the marked areas and when you are sure there is no pipe work that is not at least 50 cm or 20 inches underground, the anchors can be placed.

Note: If the anchors are not positioned correctly, the beams will not stand straight later.

Step 1

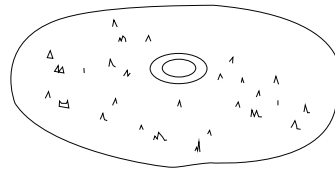
Use a rubber hammer to hammer in the ground anchor on the marked areas. Make sure to keep the anchor straight.



Step 2

Make sure all anchors are deep enough. The head of the anchor should be level (or beneath) with the ground level.

Anchors can be removed with a wrench. Turn them counter clock wise.



If all anchors are placed you can move on to the next page.

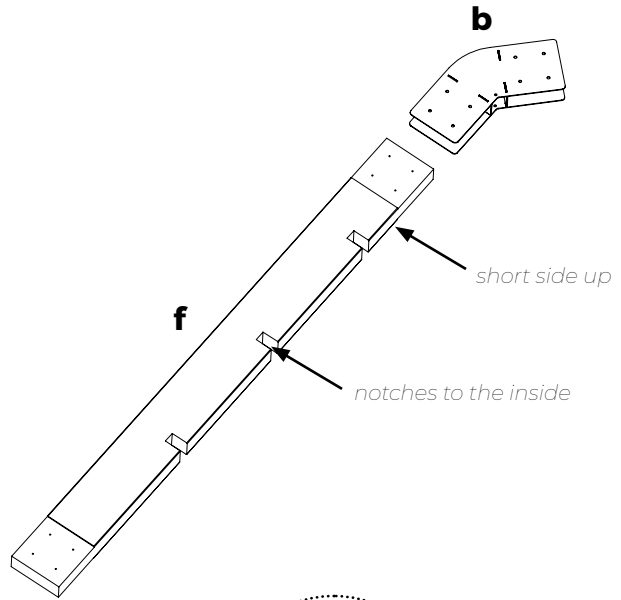
BUILDING THE ARCS

This manual tells you how to build an arc for a Framehouse with a floor inside & outside. Depending on the purchased configuration you might need to use different connectors.

Step 1

Place the first connector over the wooden beam type f. Make sure the notches are positioned the right way.

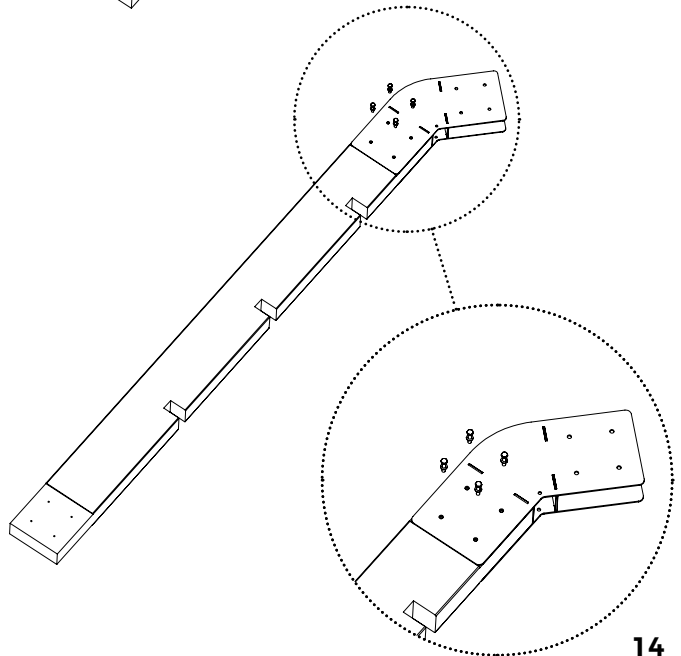
The holes in the wood should line up with the connector. There might be a slight difference due to shrinkage of the wood.



Step 2

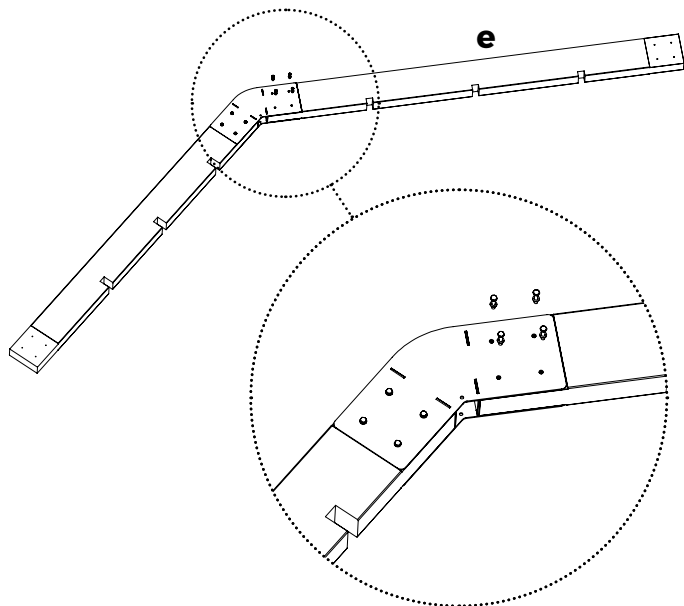
Fixate the connector on this side with the M6 x 30 mm screws. Make sure to use the supplied rings between the bolt and connector.

Note: always tighten the bolts crosswise to ensure the beam is secured straight to the connector.



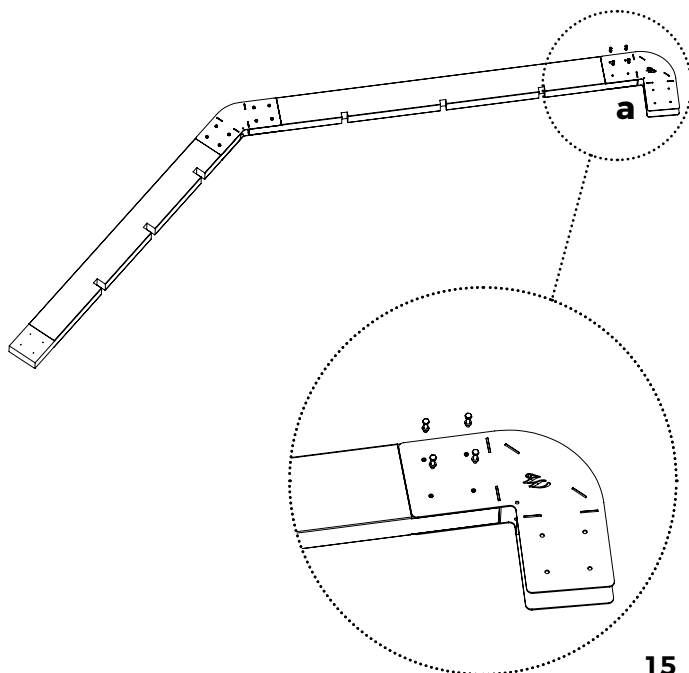
Step 3

Place the type e beam into the other side of the connector and fixate with the same screws and rings.



Step 4

Attach the type a connector to the other end of the type e beam.

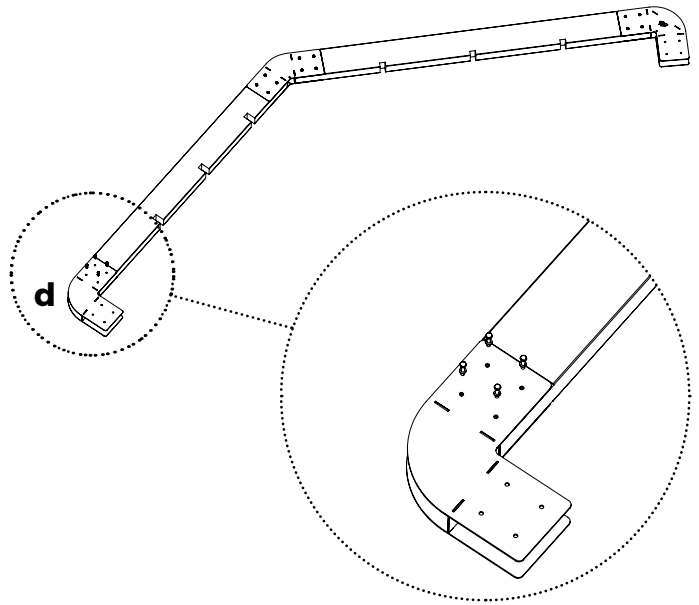


Step 5

Place another connector on the other end of the type f beam. It depends on the configuration which one needs to be placed. See page 8 which connector you need.

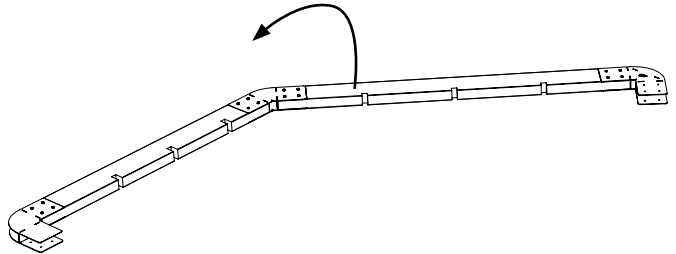
When using the type c connector make sure the hole at the bottom is pointed towards the inside of the arc.

(see step 8)



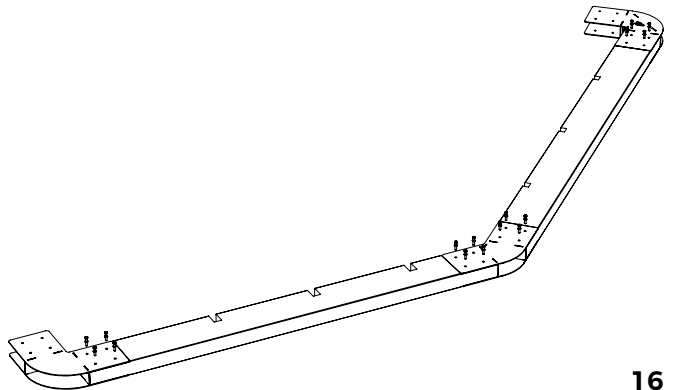
Step 6

With two people, carefully flip over the arc.



Step 7

Tighten all screws on the other side.

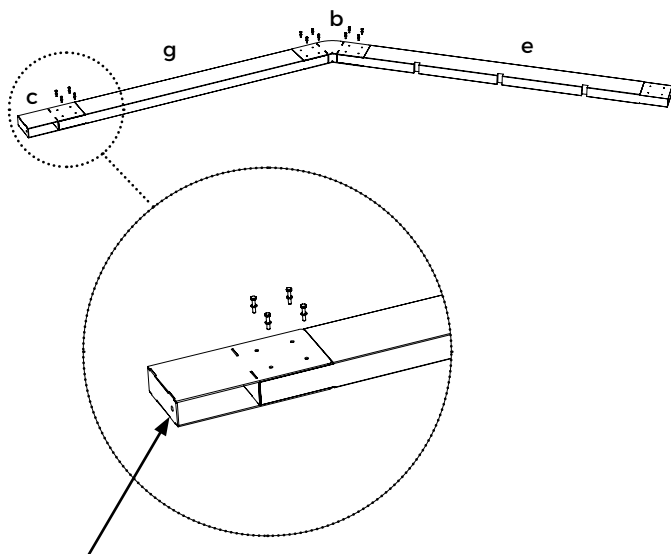


Step 8

Assemble the other side of the arc.

Use the type b and c connector in combination with type g and e wood.

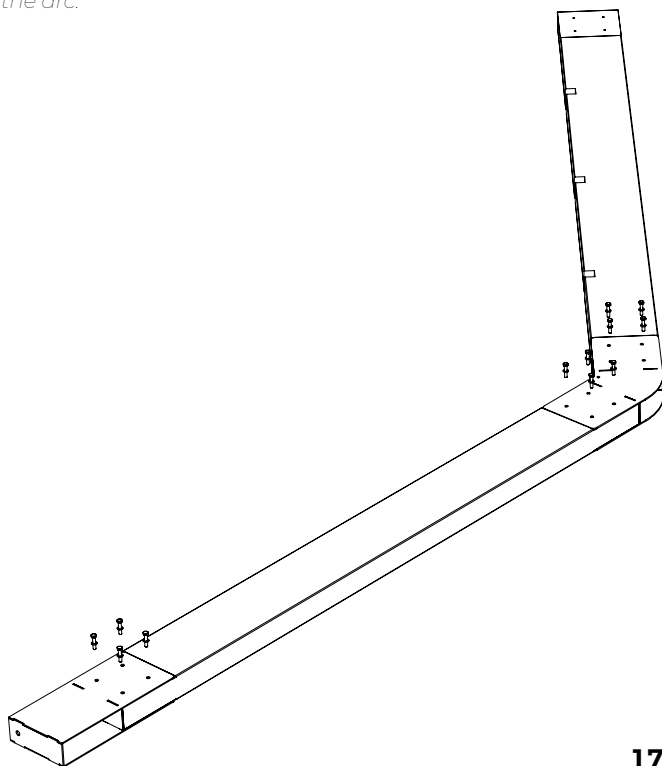
Note: make sure the hole in the type c connector is pointed towards the inside of the arc.



the hole in the type c connector pointed towards the inside of the arc.

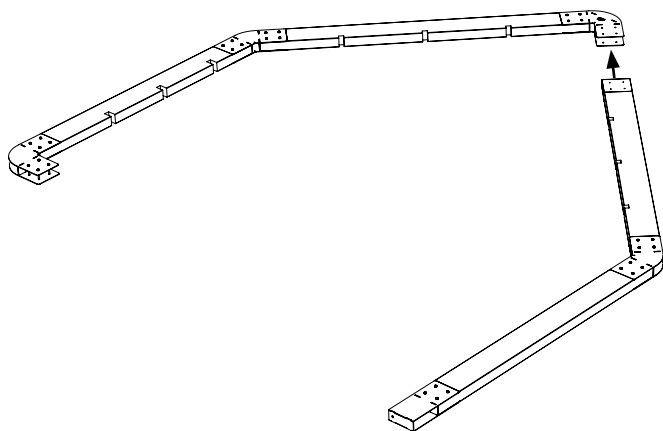
Step 9

Carefully flip over this part of the arc and screw in the screws.



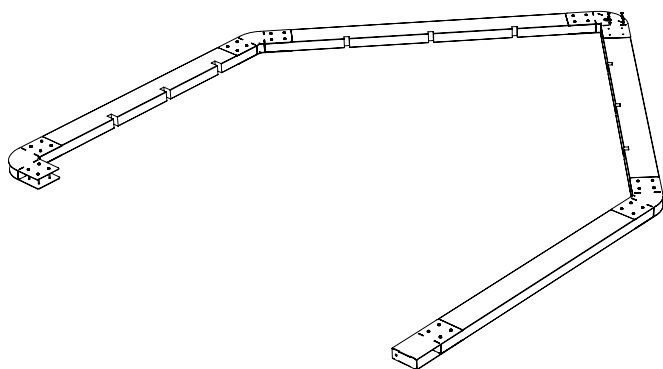
Step 10

Place the other side of the arc into the top connector.



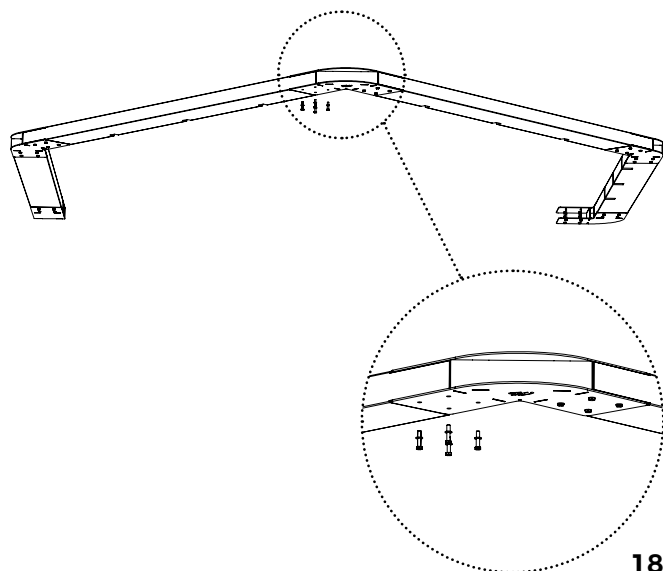
Step 11

Secure both sides of the arcs together with the 6 x 30 mm screws, don't forget to use the 6 mm rings.



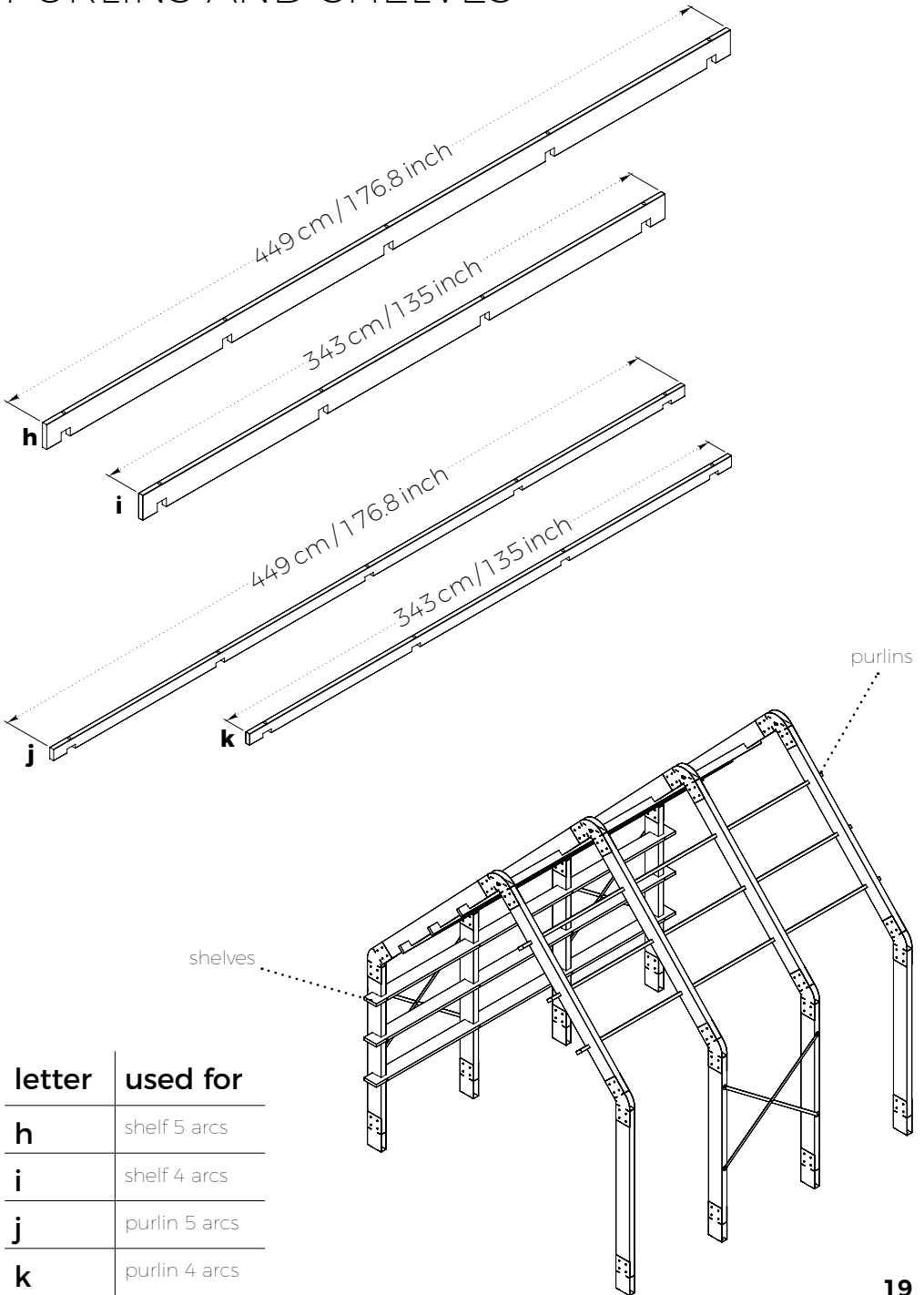
Step 12

Lift the arc slightly with two people and screw in the last four screws from the bottom.



The arc is now finished. Depending on your Framehouse make 3 - 4 more.

PURLINS AND SHELVES



letter	used for
h	shelf 5 arcs
i	shelf 4 arcs
j	purlin 5 arcs
k	purlin 4 arcs

RAISING THE ARCS

Before raising the arcs, make sure all shelves and purlins are in reach. It is advised to first read all the steps of this process before getting started.

It is strongly advised to do this with a minimum of four people.

Step 1

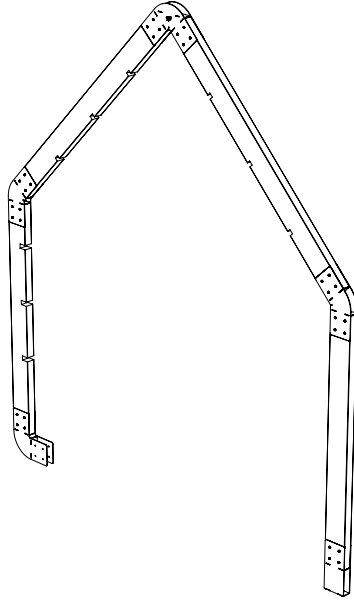
Get the first arc upright and place it in the right position.

When the ground anchors are already installed, place the type **c** connector over one of the anchors.

Note:

If the configuration you are making is a base, place both connectors over the anchors.

If it is a Framehouse with flooring inside only, there are no ground anchors in place and this will be done later.

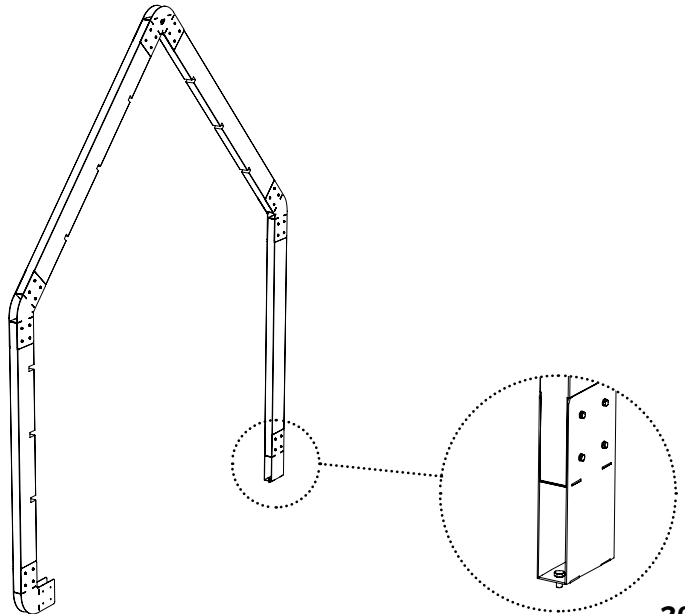


Step 2

While two people hold the arc upright. Have one person screw in the M10 bolt, through the hole in the type **c** connector and into the ground anchor.

When installing a Framehouse with the floor inside only, this step can be skipped.

If it is a base, this needs to be done for both sides.

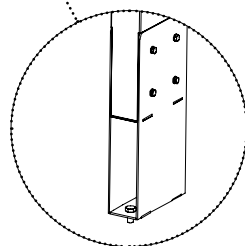
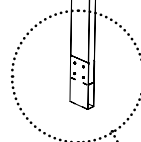
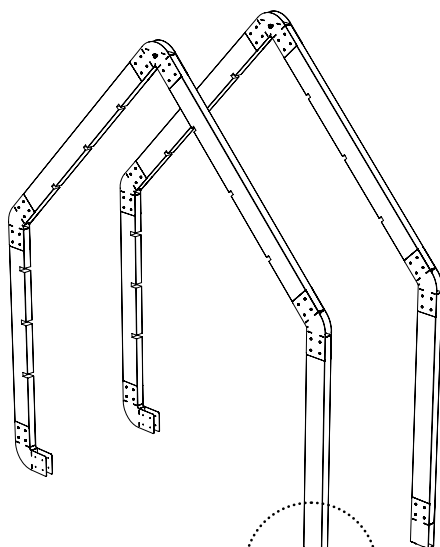


Step 3

Get the second arc upright and place it in the right position.

When the ground anchors are already installed, place the type **c** connector over one of the anchors.

While two people hold the arcs upright. Have one person screw in the M10 bolt, through the hole in the type c connector and into the ground anchor.

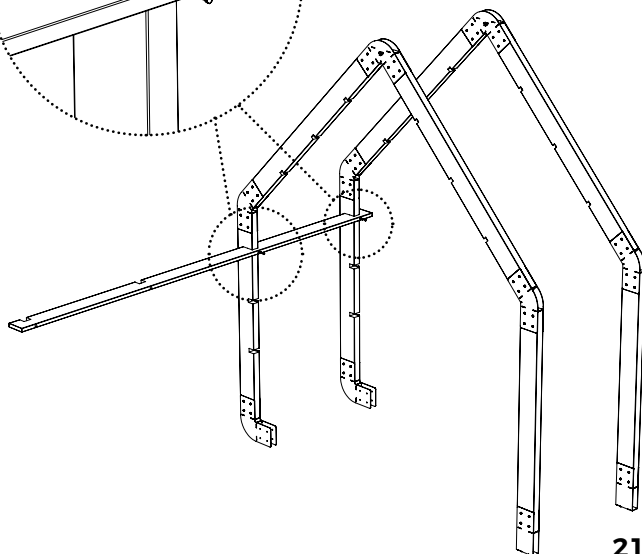
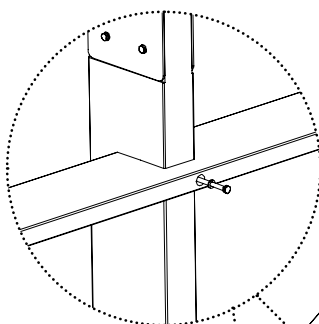


Step 4

Get the first shelf and place it in the notches of the arcs. You might need to move the arcs a bit to get everything lined up.

Fix the shelves to the arcs using a 100 mm long, 6 mm wood screw and the 6 mm ring.

After this step it is still necessary to hold up the arcs with at least two people.

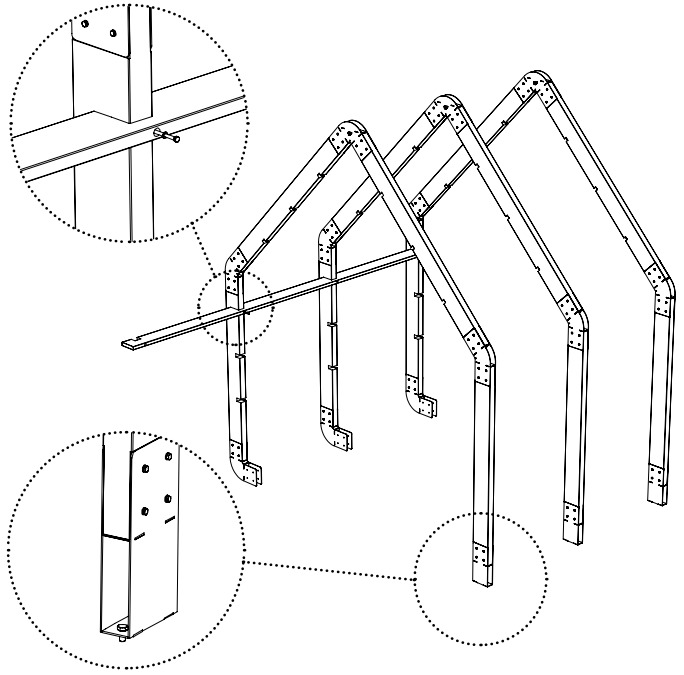


Step 5

Place the third arc and fixate the shelf to it with the 6 x 100 mm long screws and 6 mm ring.

If used, fixate the ground anchors with the M10 bolt.

After this step it's still needed to hold up the arcs with at least two people.

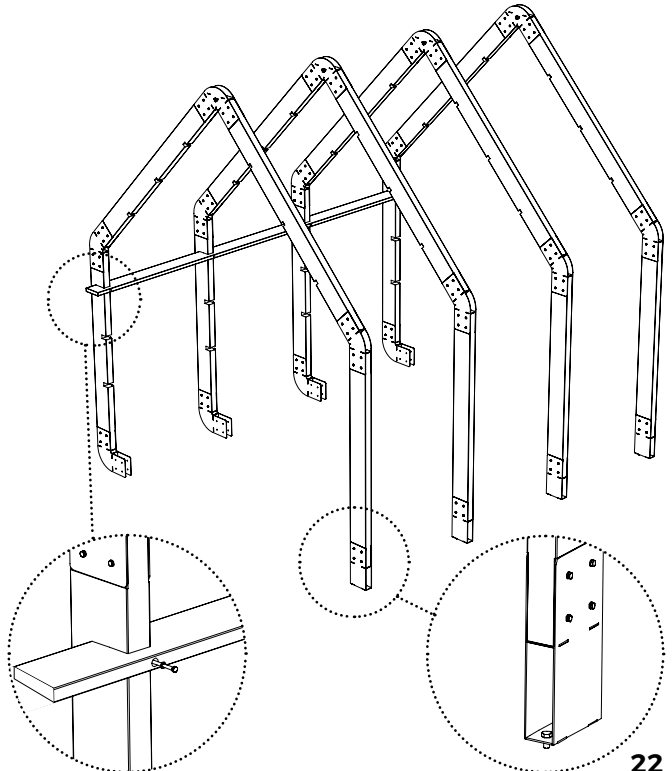


Step 6

Place the fourth arc and fixate the shelf to it with the 100 mm long screws and 6 mm ring.

If used, fixate the ground anchors with the M10 bolt.

After this step it's still needed to hold up the arcs with at least two people.



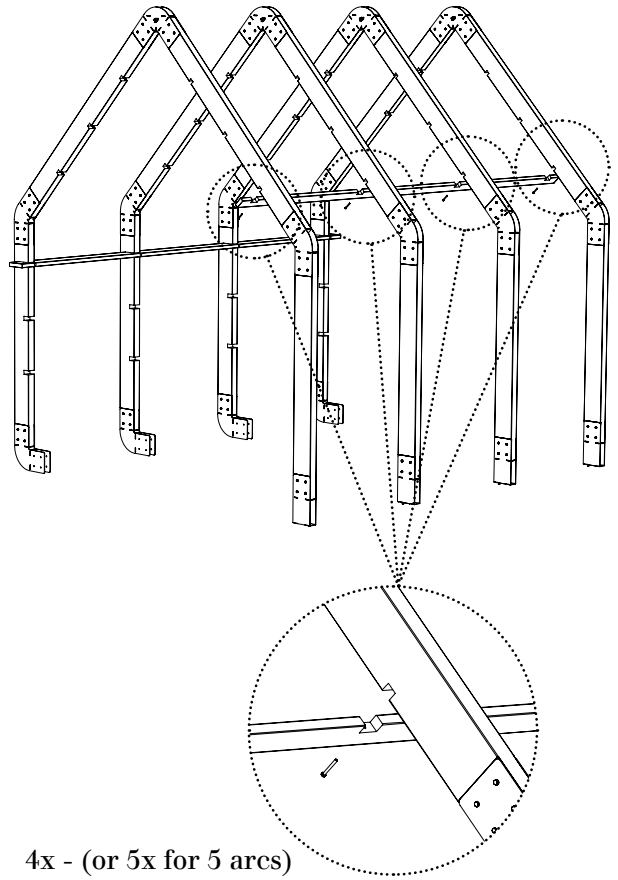
Step 7

Get the first roof purlin and place it in the notches of the roof on the opposite side of the shelf.

It might be necessary to move the arcs a bit to get all the notches to line up.

When placed, fixate with the 6 x 50 mm wood screw and the 6 mm ring.

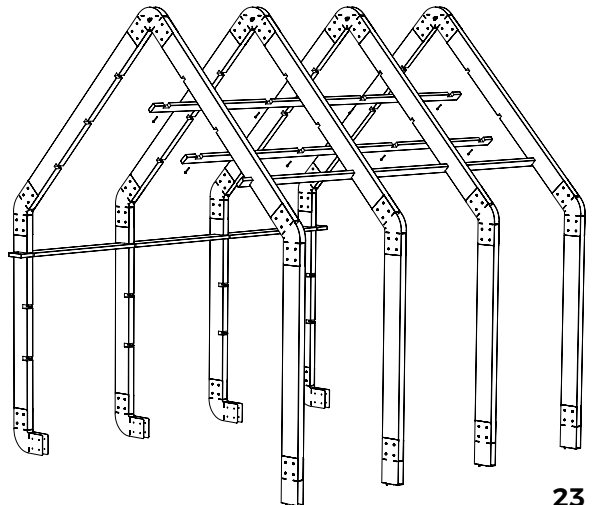
After this step it should be safe to let go of the arcs. However, the Framehouse is still unstable in this phase, so be careful.



Step 8

Get the second and third roof purlin and place it in the notches of the roof. It might be necessary to move the arcs a bit to get all the notches to line up.

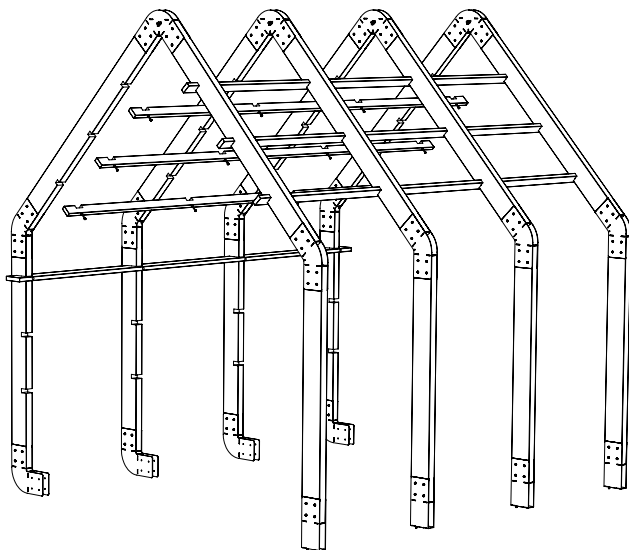
When placed fixate with the 6 x 50 mm wood screw and the 6 mm ring.



Step 9

Now place the roof purlins on the other side of the roof. It might be necessary to move the arcs a bit to get all the notches to line up.

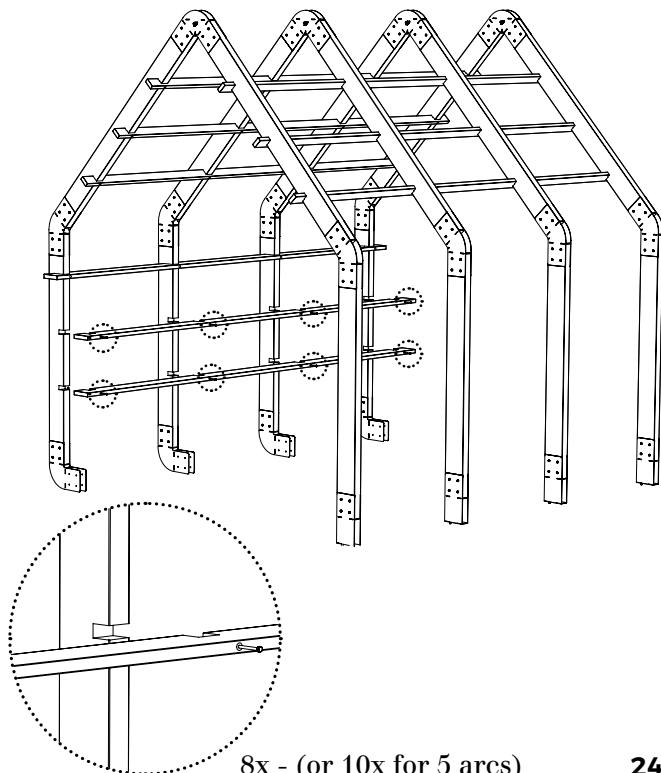
When placed fixate with the 6 x 50 mm wood screw together with a 6 mm ring.



Step 10

Now place the other shelves. It might be necessary to move the bottom of the arc to the right direction to make sure the notches line up.

When placed fixate with the 6 x 100 mm wood screw.

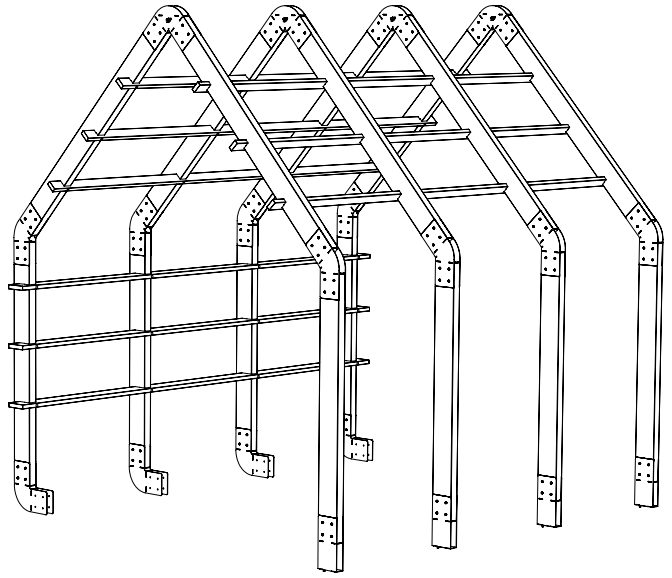


8x - (or 10x for 5 arcs)

Step 11

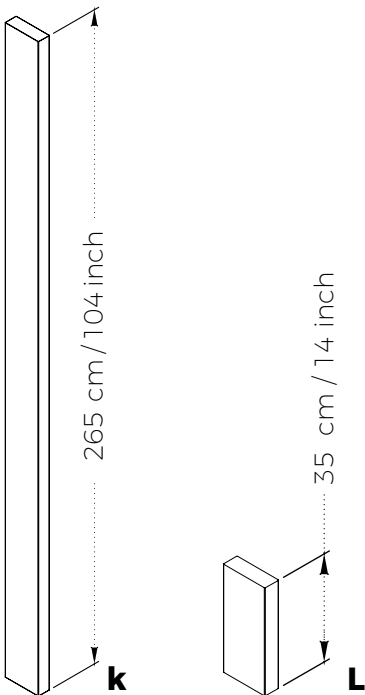
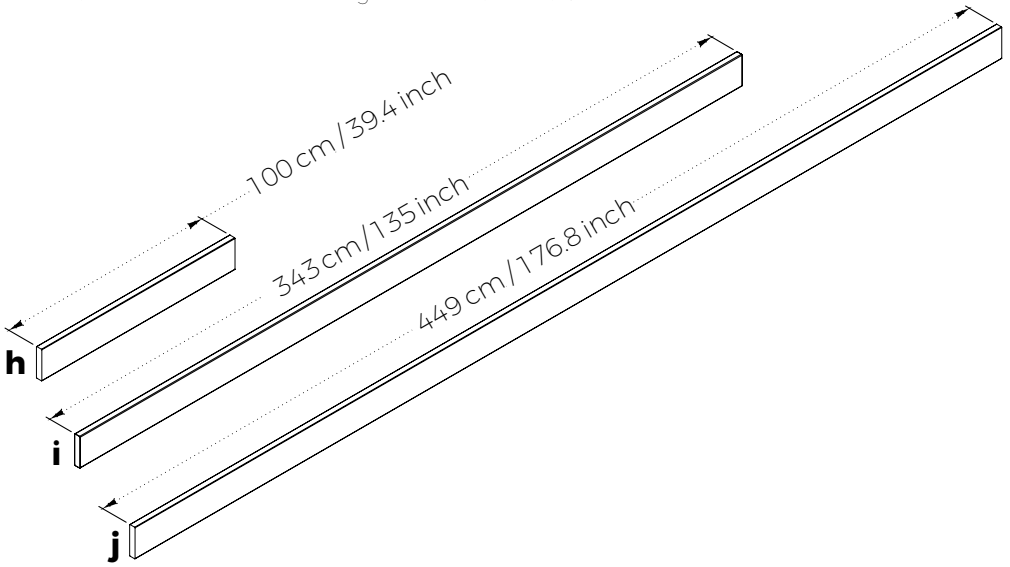
If you bought a Framehouse with a floor please continue to the next page.

If you only purchased the base please continue to page 61.



WOOD FOR FLOOR

Depending on the type of floor in the configuration of your Framehouse you will have received a selection of the following beams and boards:



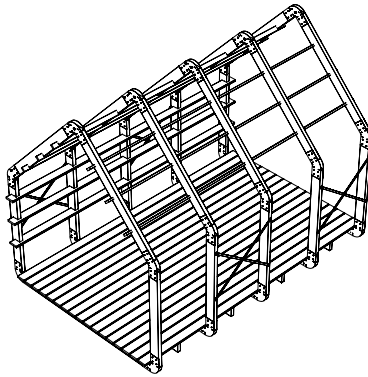
letter	used for
h	floor board middle piece (only for inside & outside configuration)
i	floor board 4 arcs
j	floor board 5 arcs
k	floor beam
L	floor middle beam (only for inside & outside configuration)

BUILDING THE FLOOR

Depending on the configuration of the floor there are different instructions, see below to find out which one to follow:

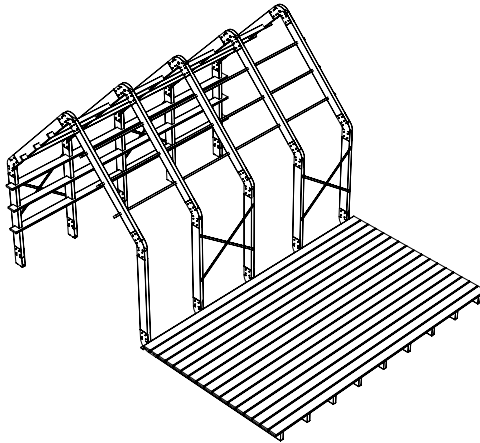
Floor Inside

Continue to page 28.



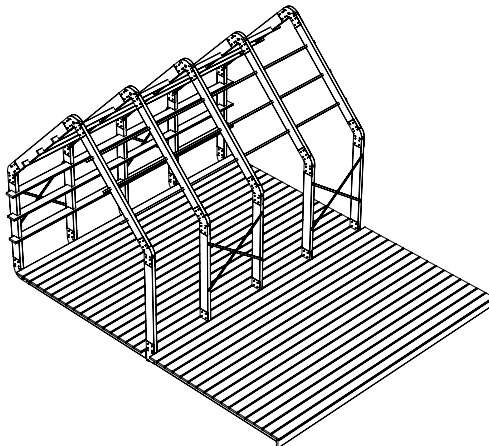
Floor Outside

Continue to page 38.



Floor Inside & Outside

Continue to page 47.



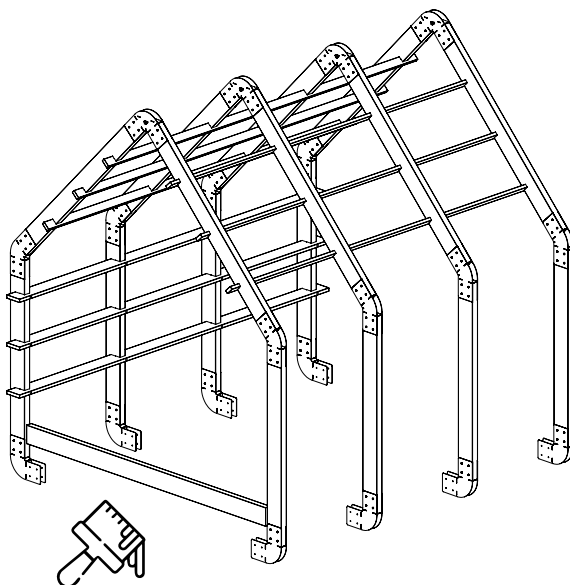
Floor Inside

Advice

If the Framehouse is placed outside, all k-beams should be stained from the bottom and sides with the supplied stain to protect them from moisture.

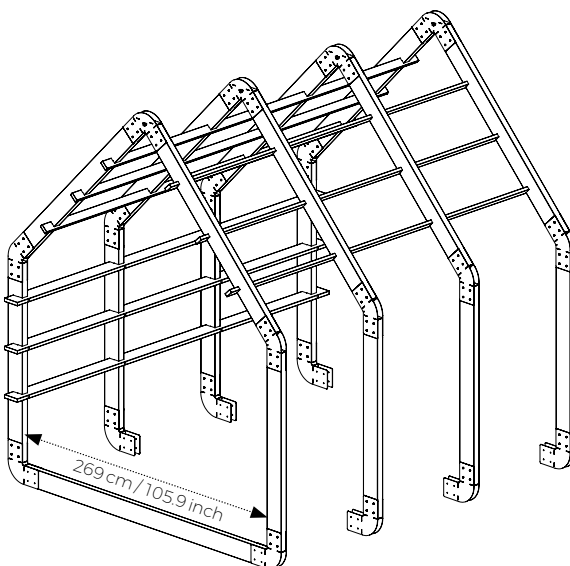
Step 1

Place the first beam k between the connectors.



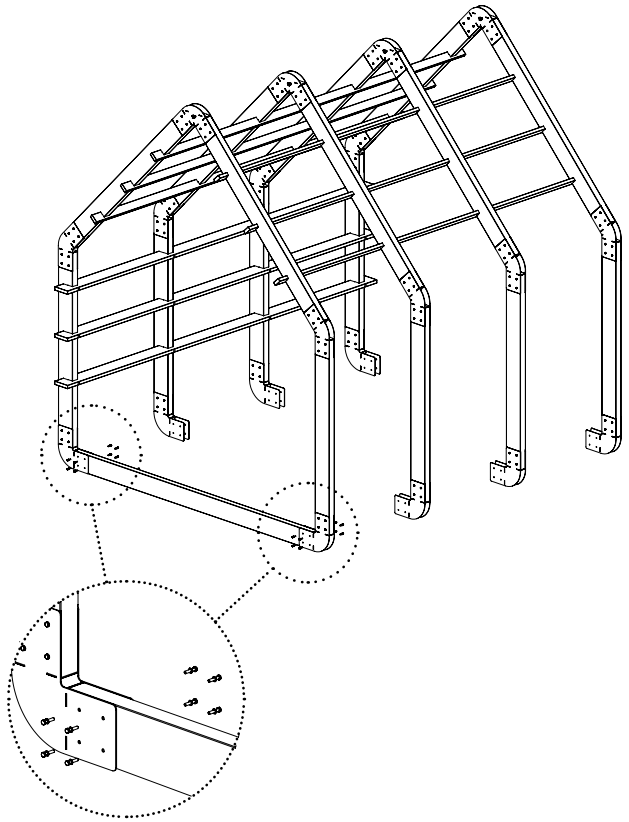
Step 2

Make sure the space between the pillars is 2692mm and the beam is pushed completely towards the end of the connector.



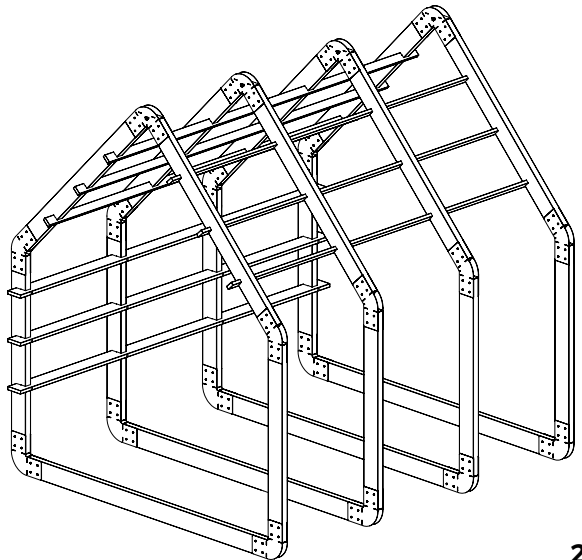
Step 3

Fasten the connectors to the beam using the 6 x 30 mm wood screw with a 6 mm ring.



Step 4

Repeat this for the other beams.



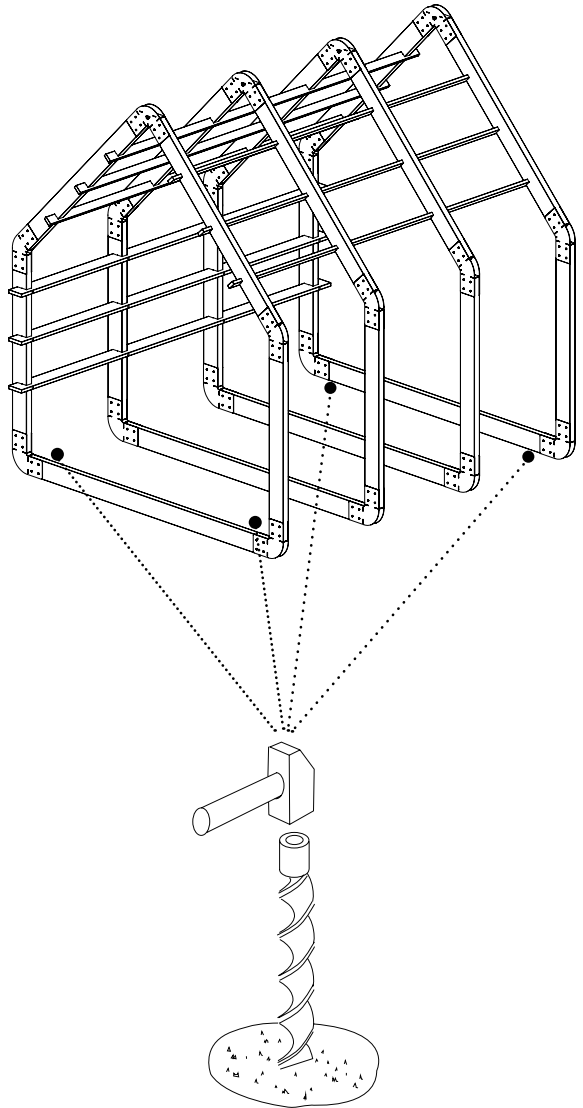
Step 5

Now is the time to place the ground fixtures.

Note: make sure there is no pipe work within this area that is not at least 50 cm or 20 inches underground.

Position four ground anchors in the marked areas, as close as possible to the beam. Place them on the inside of the Framehouse. This way they won't be visible later.

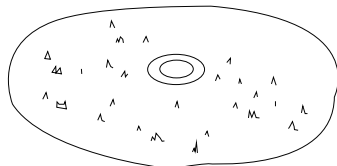
Use the rubber hammer to hammer the ground anchor into the ground. Make sure to keep the anchor straight.



Step 6

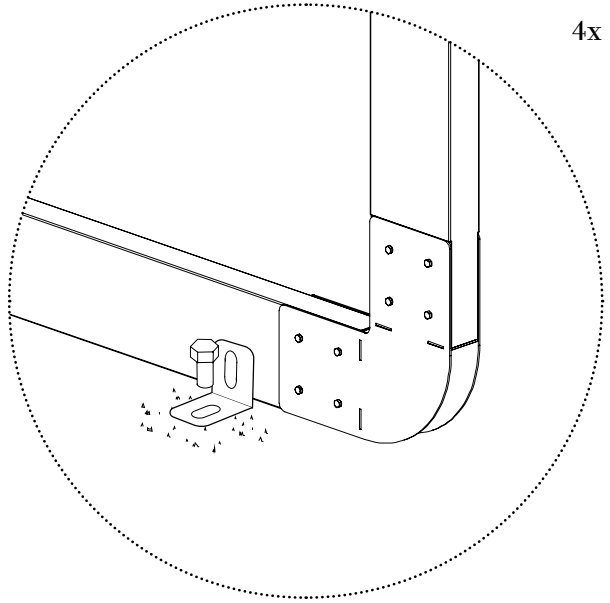
Make sure all anchors are deep enough. The head of the anchor should be level to or deeper than the ground level.

Anchors can be removed with a wrench by turning them counter clock wise



Step 7

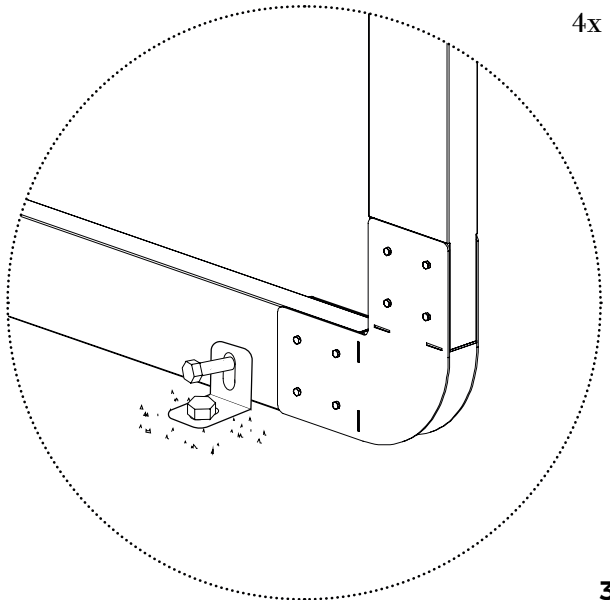
Use the M10 bolt to secure the mounting plate onto the ground anchor.



Step 8

Use the M8 x 40 mm wood screw to secure the ground anchor to the Framehouse.

This is easier if you predrill a hole in the wood with a 4 mm wood drill.

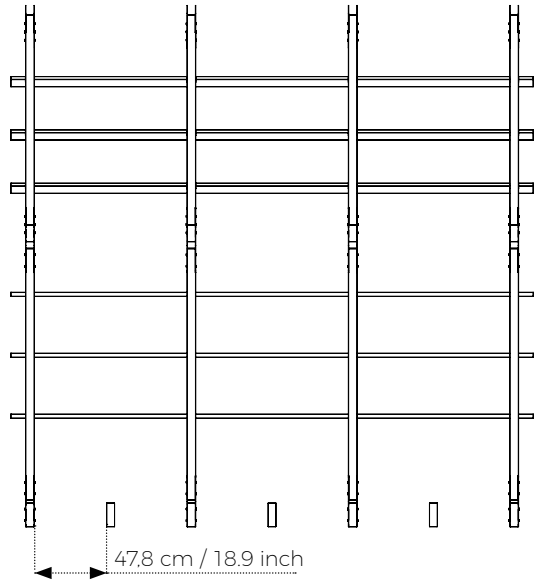
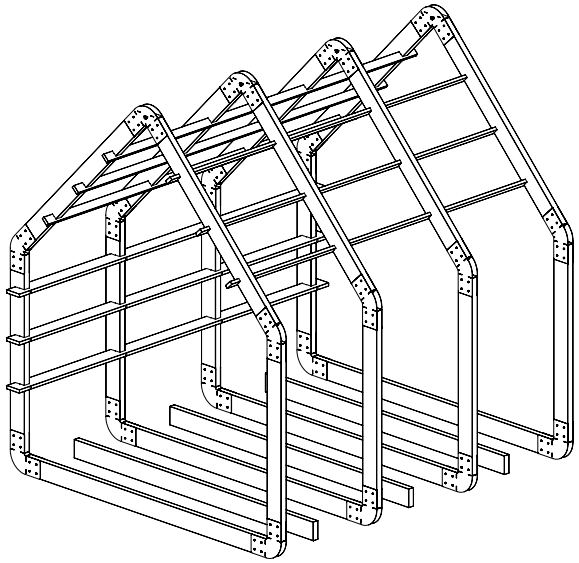


Step 9

Between each floor beam, place another floor beam.

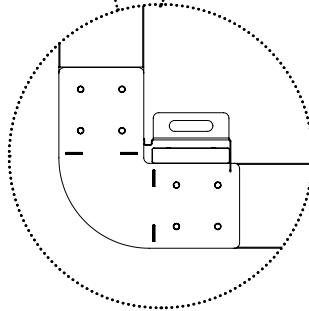
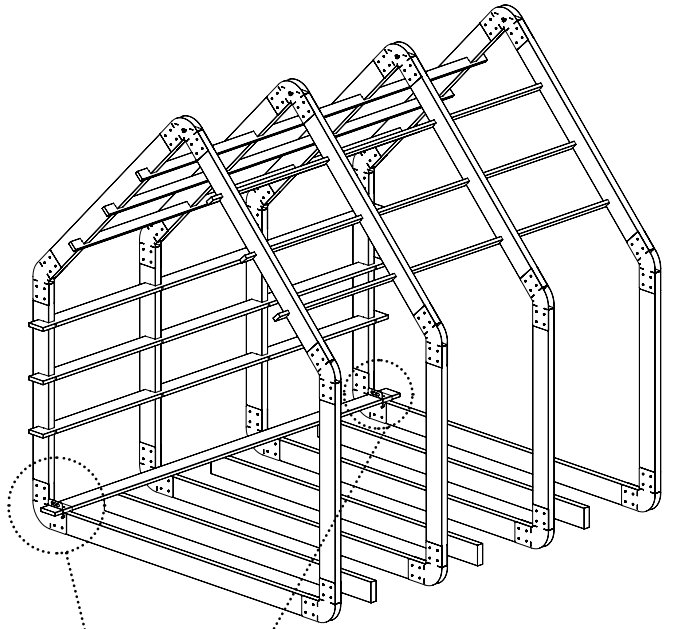
Make sure each beam has the right distance from the others. Find the correct distance in the drawing below. Measure this for all the beams.

After measuring, make sure not to move the beams anymore. Otherwise the screws in the floor will not be in a straight line later on.

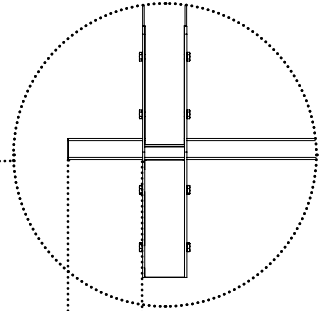


Step 10

Place the first floor board onto the beams. Use the drill tool to get the right distance from the beams. Make sure the board overlaps 10 cm on both sides.



Determine the distance of the board to the beam by placing the floor tool over the connector and against the beam. The floor board should fit in between.

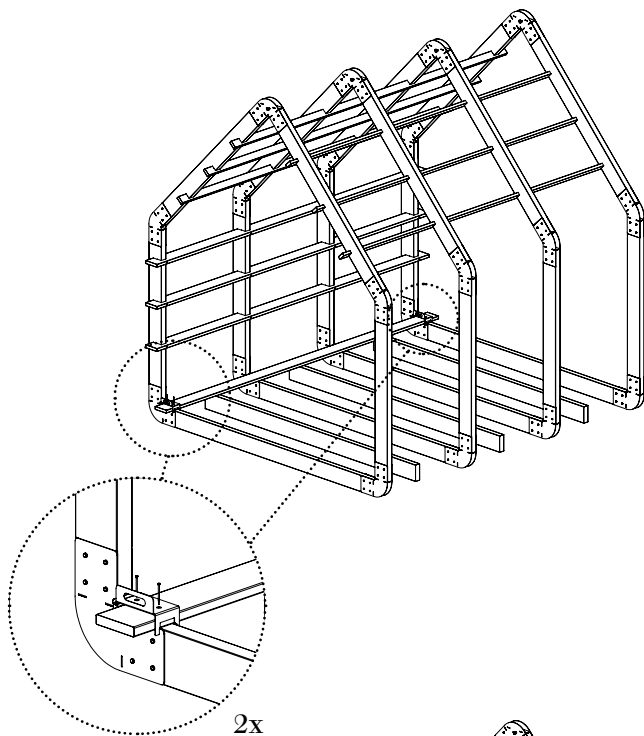


Make sure the floor board overlaps 10 cm on each end.

Step 11

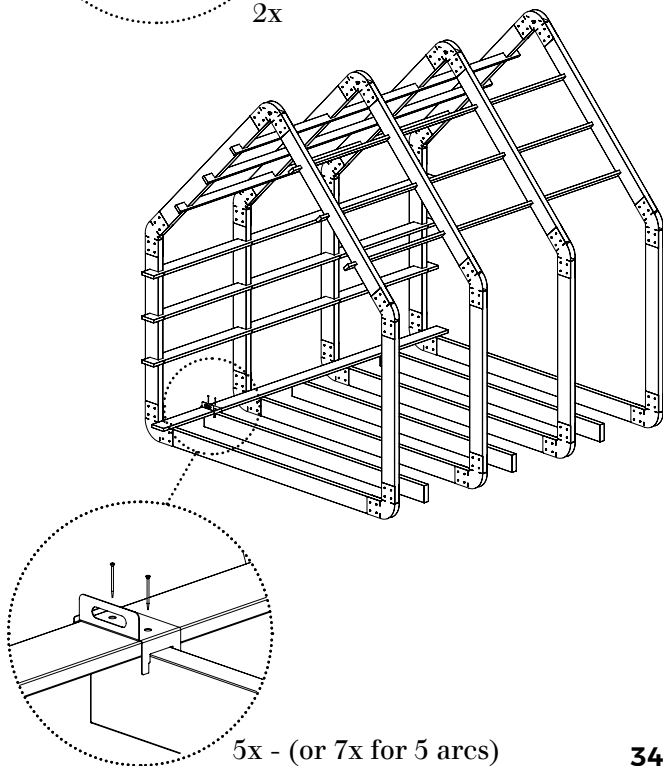
If the first floor board is in the right place, fixate it to the beams underneath using the 6 x 60 mm wood screws. The holes in the drill tool mark the correct screw position.

To start, only screw in the screws on both ends of the Framehouse.



Step 12

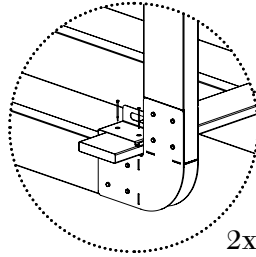
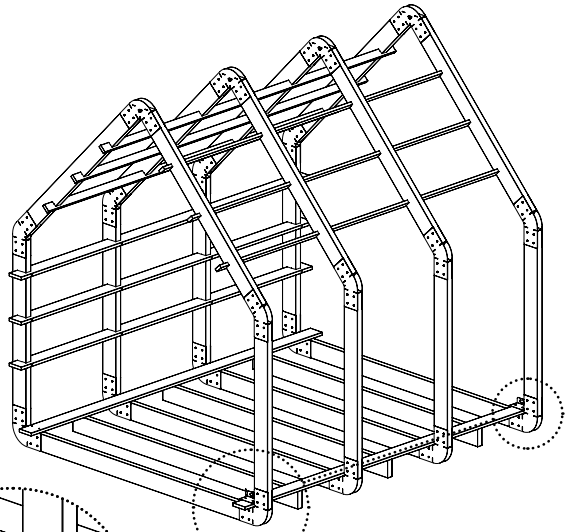
When the floorboard is placed correctly, now screw the board to the other beams. You can use the drill tool to position the screws.



Step 13

Place the second floor board on top of the beams on the other side of the Framehouse. Use the drill tool to get the right distance from the beams. Make sure the board overlaps 10 cm on both sides.

To start, only screw in the screws on both ends of the Framehouse.

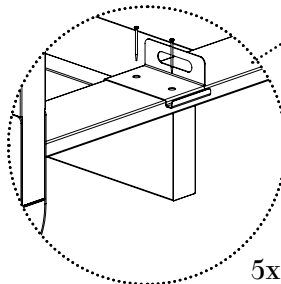
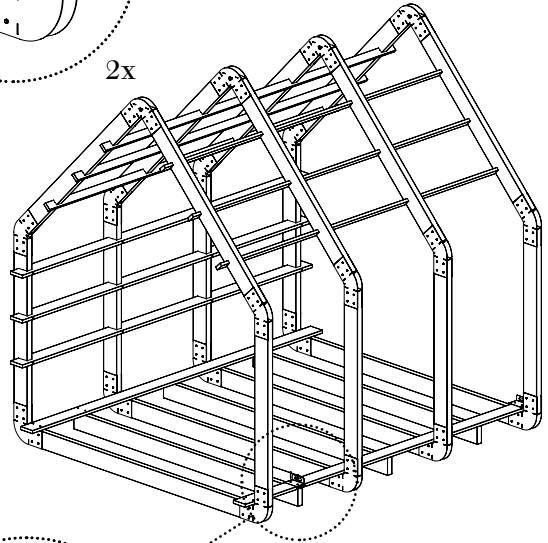


2x

Step 14

When the floor board is placed correctly, screw the board to the other beams. You can use the drill tool to position the screws.

After this step, all floor beams are secured and should not be able to move anymore.

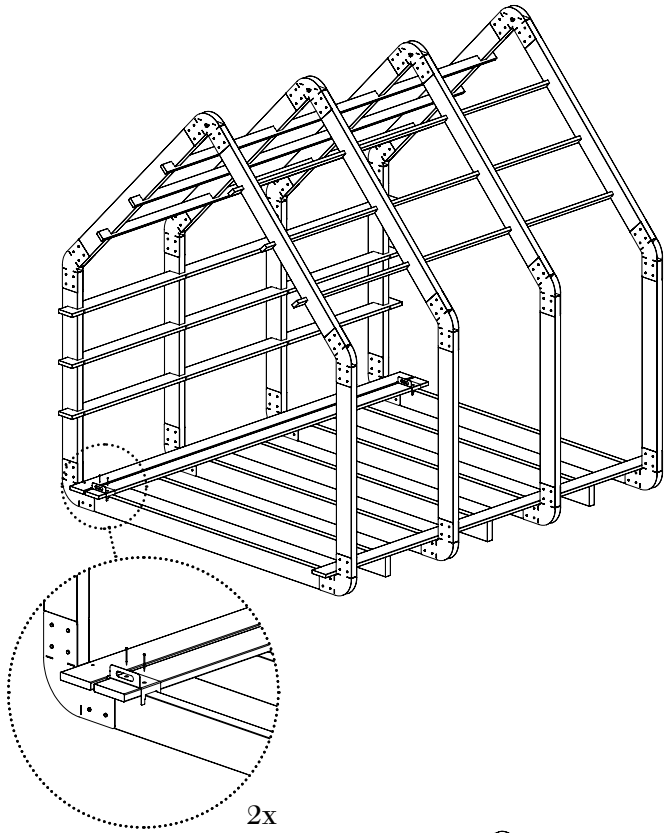


5x - (or 7x for 5 arcs)

Step 15

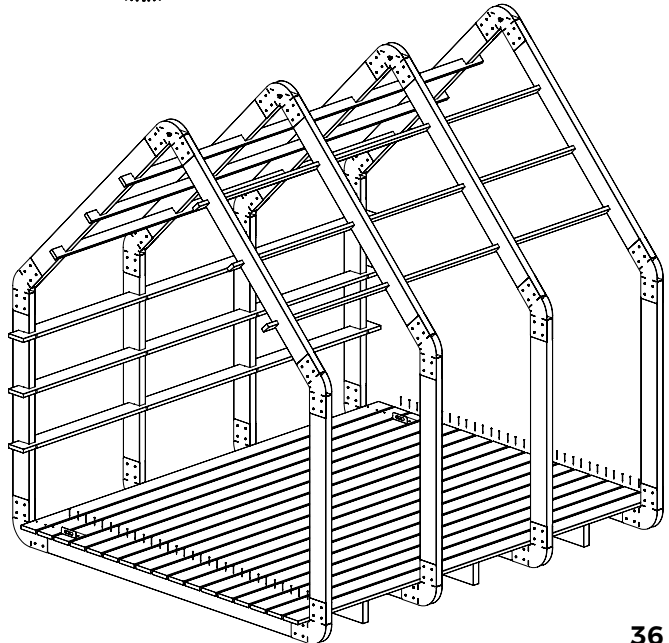
Place the third floor board next to the first floor board. Use the drill tool to get the right distance between both boards and to position the screws.

After making sure both boards have the same overlap, fixate with the 6 x 60 mm screws on both ends.



Step 16

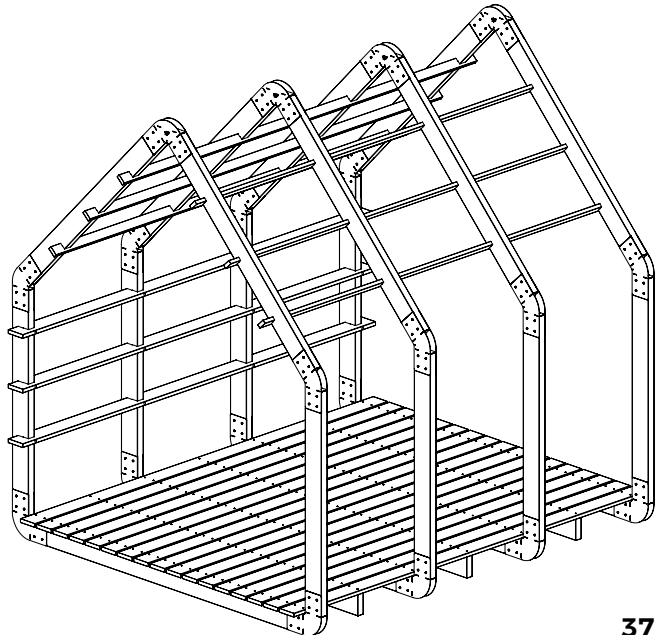
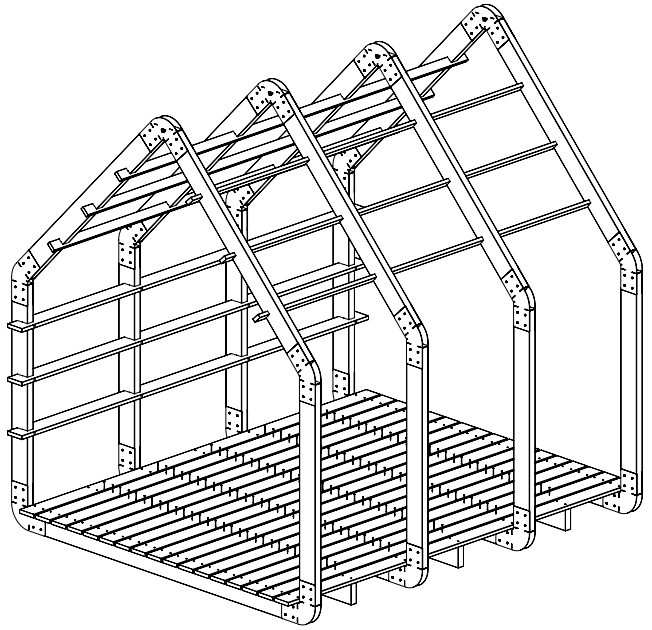
Repeat step 15 for all other boards.



Step 17

When all floor boards are positioned correctly and the distance between each board is even, screw in all the other screws; two 6 x 60 mm screws, for each crossing between floor board and floor beam. You can use the drill tool to position the screws.

These screws help to keep the wooden floor boards from warping.



The floor is now finished, continue to page 61.

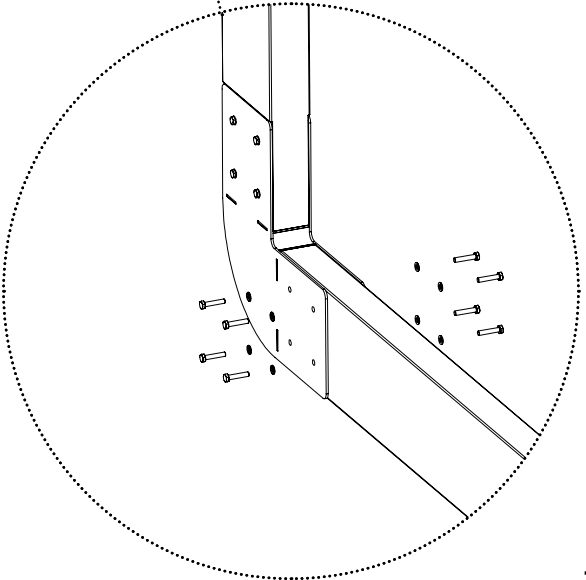
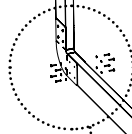
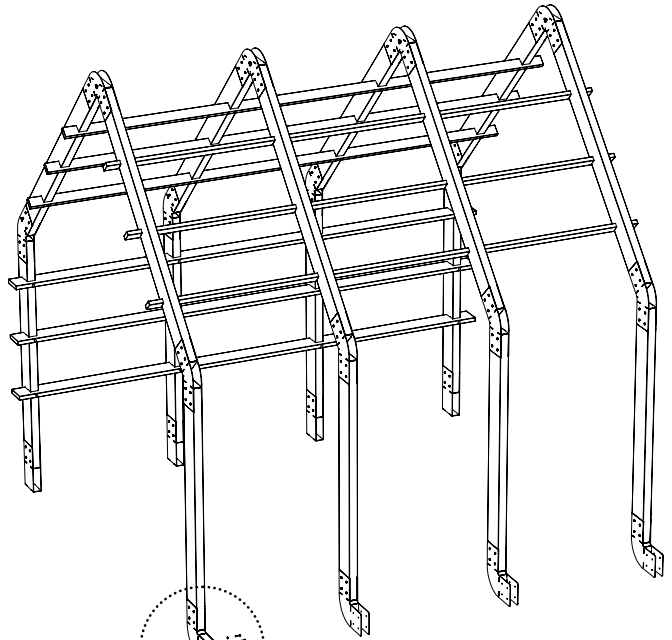
Floor Outside

Advice

If the Framehouse is placed outside, all k-beams should be stained from the bottom and sides with the supplied stain to protect them from moisture.

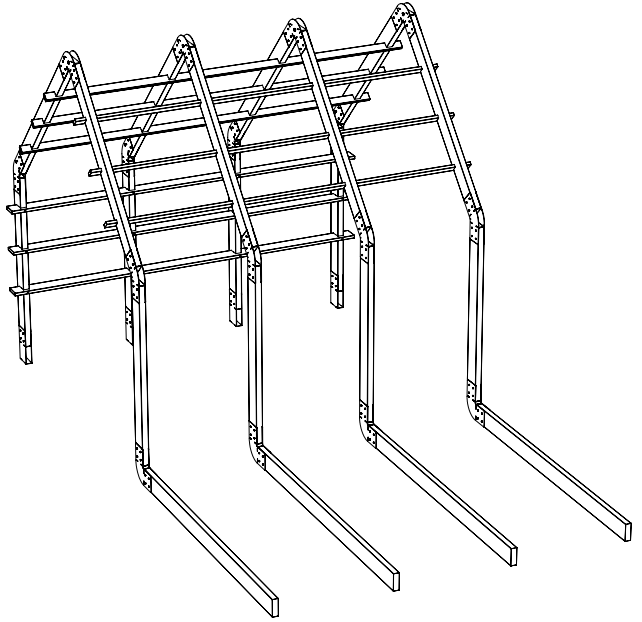
Step 1

Place the first type k beam between the connectors and secure with the 6 x 30 mm screw, don't forget to use the rings.



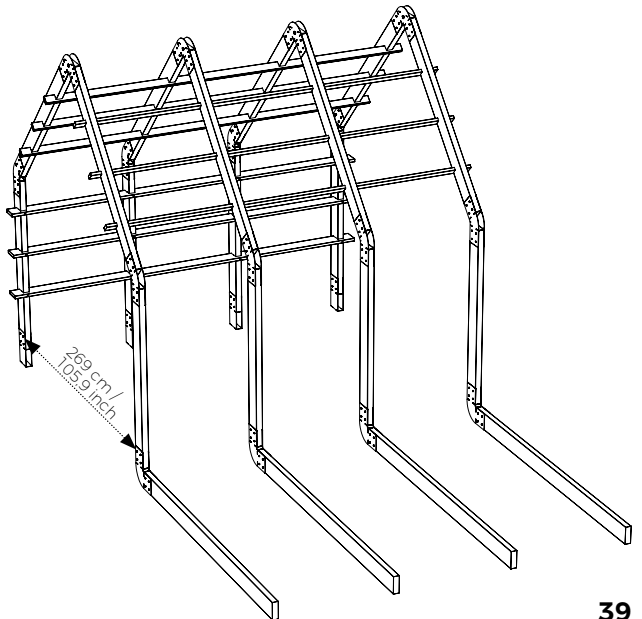
Step 2

Repeat this step for the other arcs.



Step 3

Make sure the distance between the arc is correct. If not, move the beams until it is.

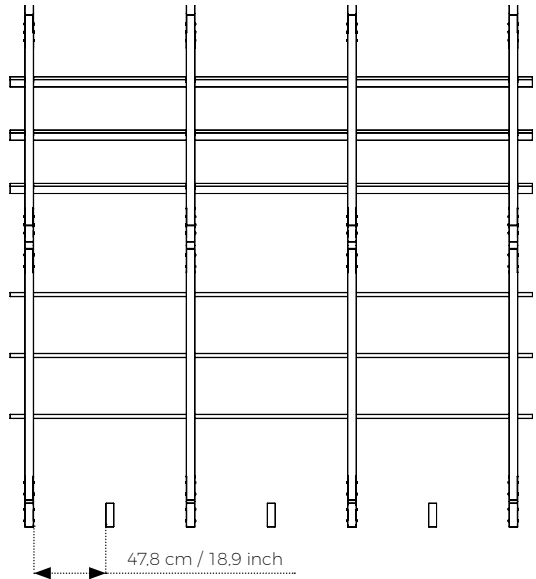
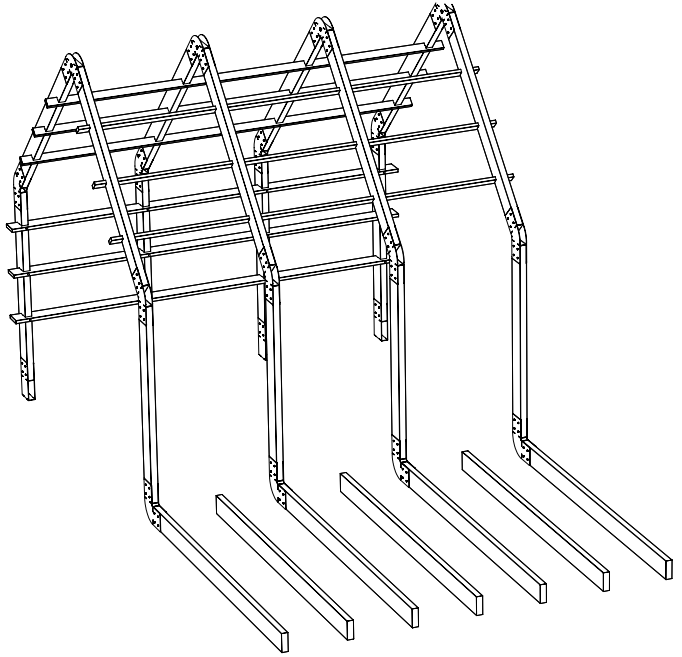


Step 4

Between each floor beam, place another floor beam.

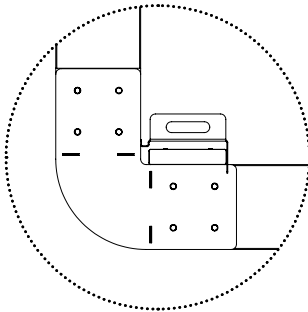
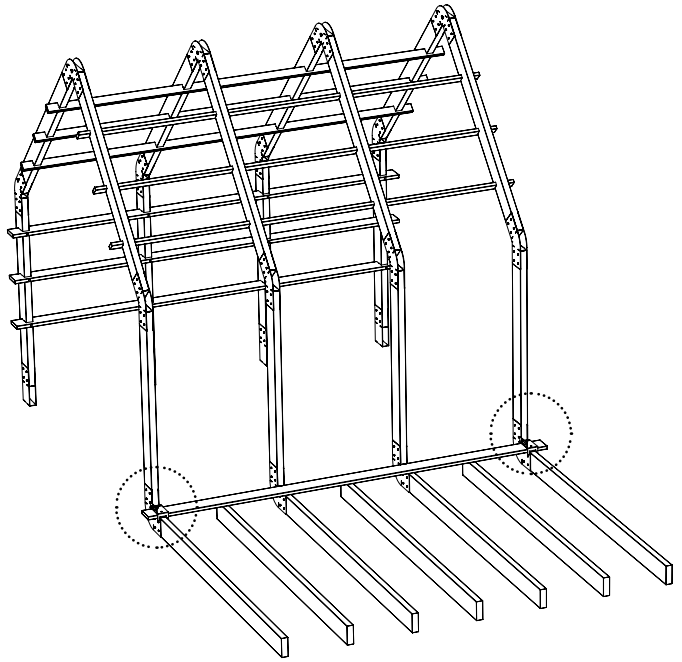
Make sure each beam has the right distance from the others. Find the correct distance in the drawing on the right. Measure this for all the beams.

After measuring, make sure not to move the beams anymore.

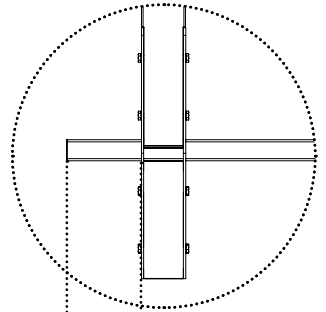


Step 5

Place the first floor board onto the beams. Use the drill tool to get the right distance from the beams. Make sure the board overlaps 10 cm on both sides.



Determine the distance of the board to the beam by placing the floor tool over the connector and against the beam. The floor board should fit in between.

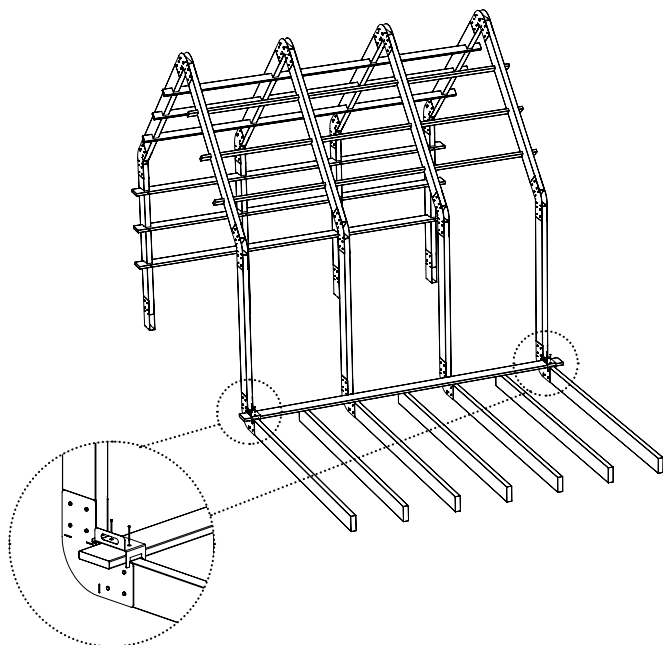


10 cm / 3.93 inch
Make sure the floor board overlaps 10 cm on each end.

Step 6

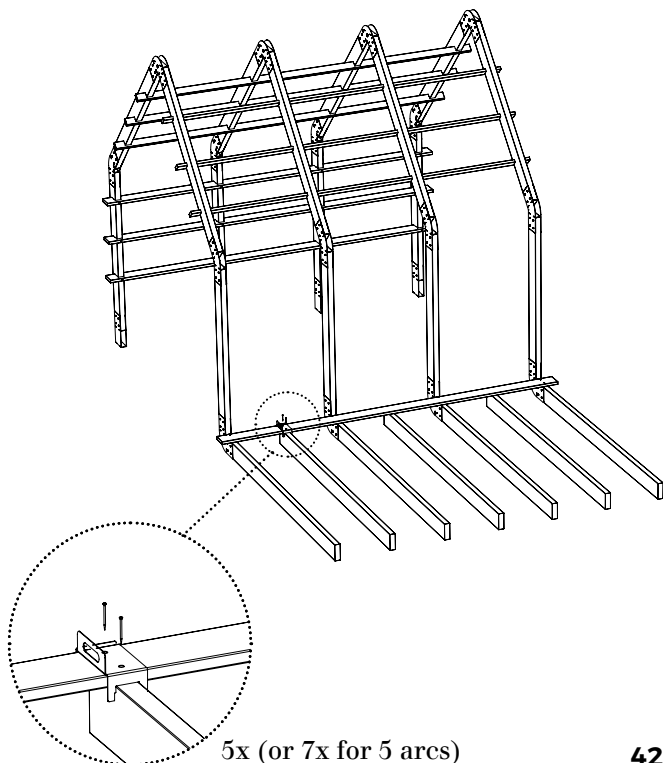
When the first floor board is in the right place, fixate it to the beams underneath using the 6 x 60 mm wood screws. The holes in the drill tool mark the correct screw position.

To start, only screw in the screws on both ends of the Framehouse.



Step 7

When the floor board is placed correctly, screw the board to the other beams. You can use the drill tool to position the screws.

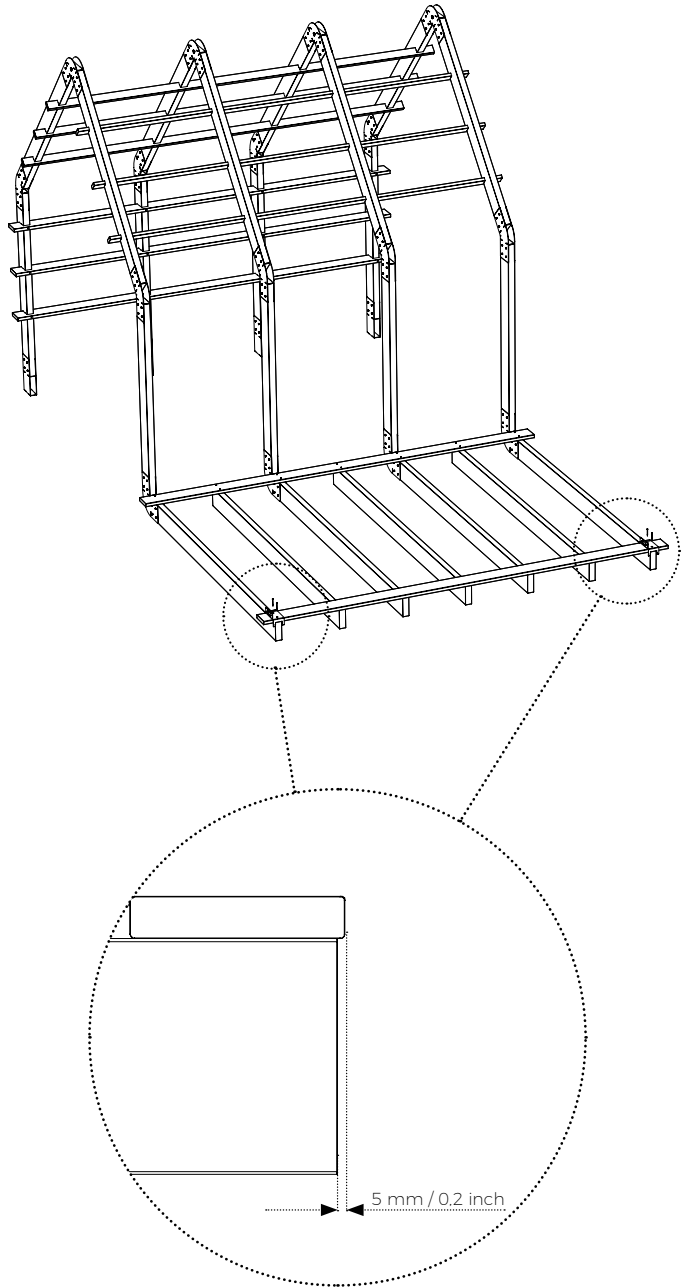


Step 8

Place the last floor board on the end of the floor beams. Make sure it overlaps 5 mm on the end and 10 cm on both sides.

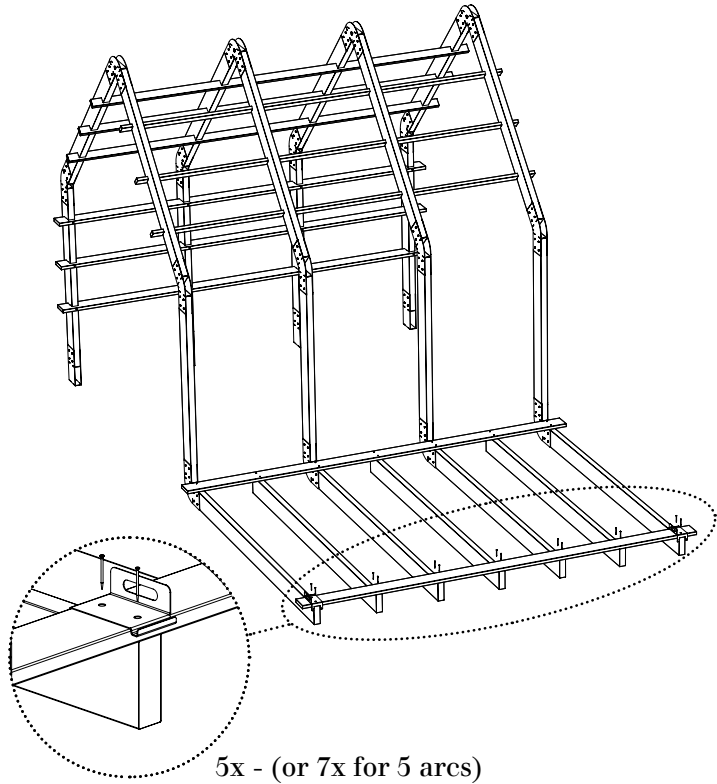
If the floor board is in the right place, fixate it to the beams underneath using the 6 x 60 mm wood screws. The holes in the drill tool mark the correct screw position.

To start, only screw in the screws on both ends of the Framehouse.



Step 9

When the floor board is placed correctly, now screw the board to the other beams. You can use the drill tool to position the screws.

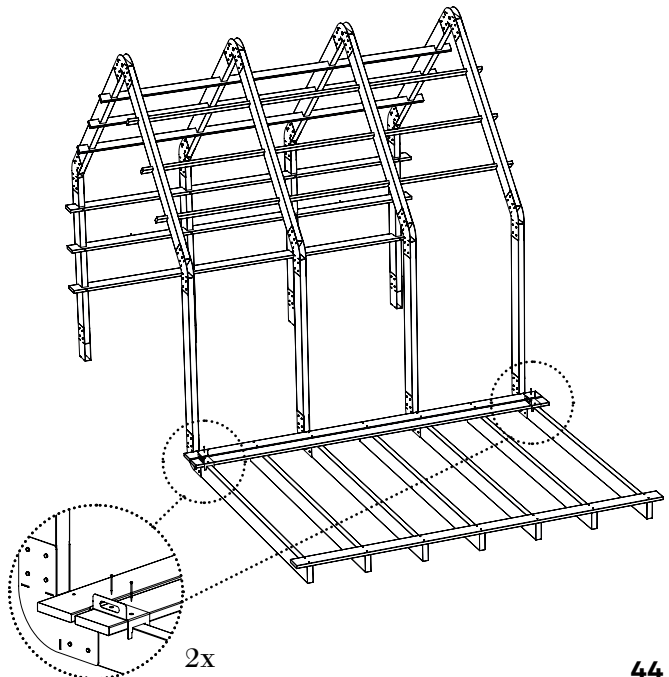


Step 10

Place the third floor board and screw it in place. Use the drill tool to get the correct distance between the boards and the correct screw position. Fixate with the 6 x 60 mm screws.

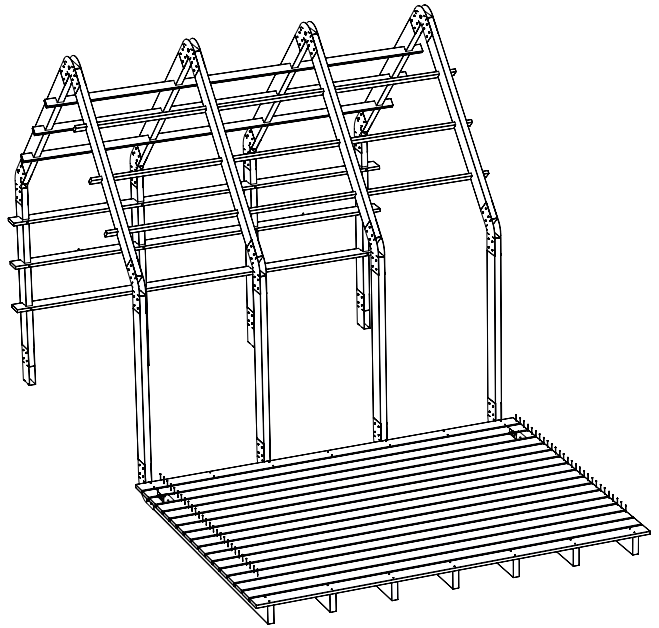
Note:

Only fixate it on both ends of the Framehouse. The other screws will be put in place later.



Step 11

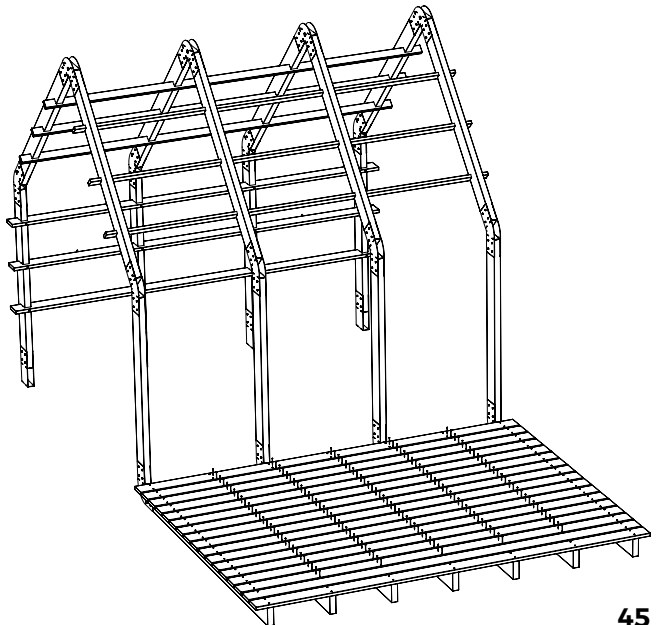
Using the same method as in step 10, place all the other floor boards and screw in on both ends.



Step 12

When all floor boards are positioned correctly and the distance between each board is even, screw in all the other screws: two 6 x 60 mm screws, for each crossing between floor board and floor beam. You can use the drill tool for the position of the screws.

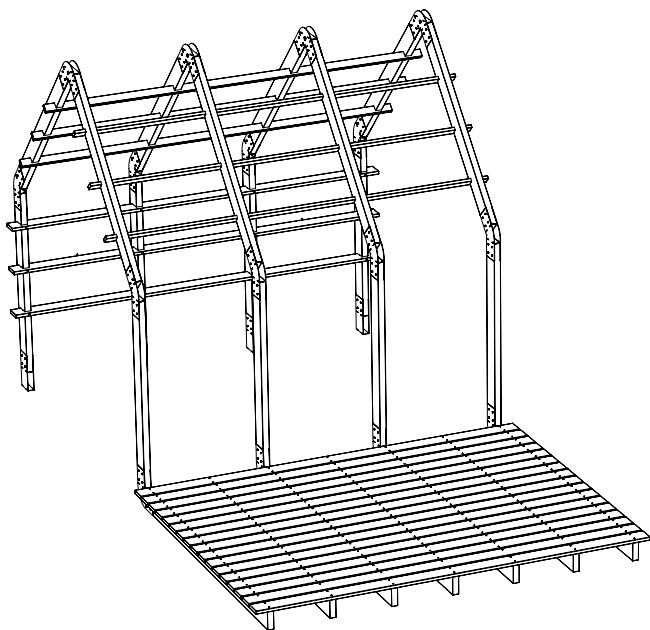
These screws help to keep the wooden floor boards from warping.



Step 13

Make sure you didn't miss any screws.

The floor is done now.
Proceed to page 61.



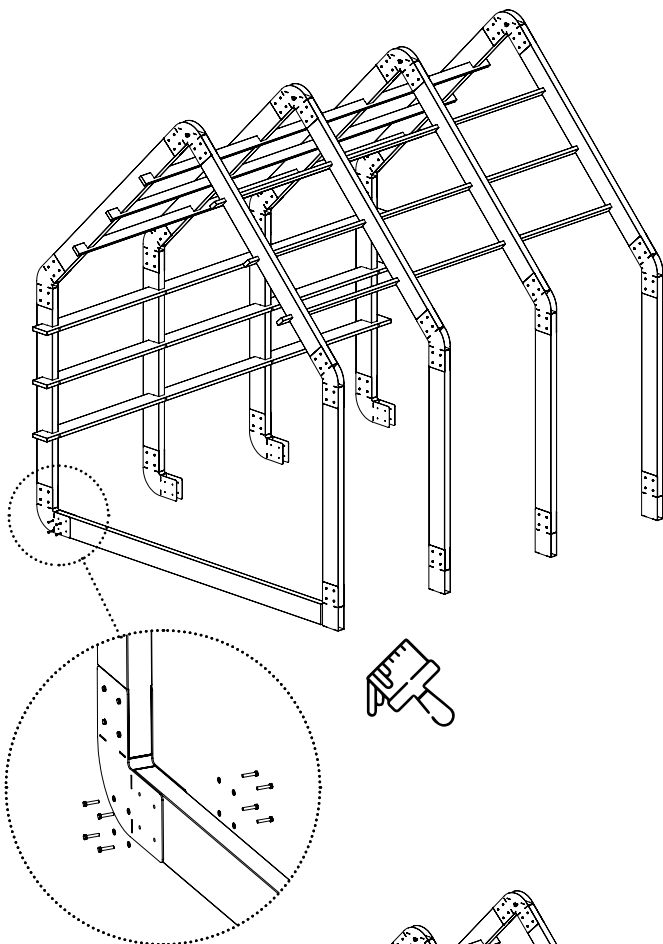
Floor Inside & Outside

Advice

If the Framehouse is placed outside, all k-beams should be stained from the bottom and sides with the supplied stain to protect them from moisture.

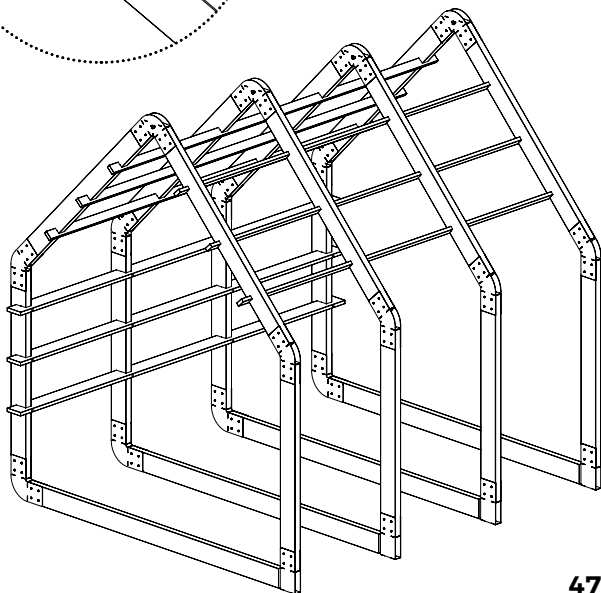
Step 1

Place the first beam k between the connectors. Use the 6 x 30 mm wood screws with the 6 mm ring to secure the beam.



Step 2

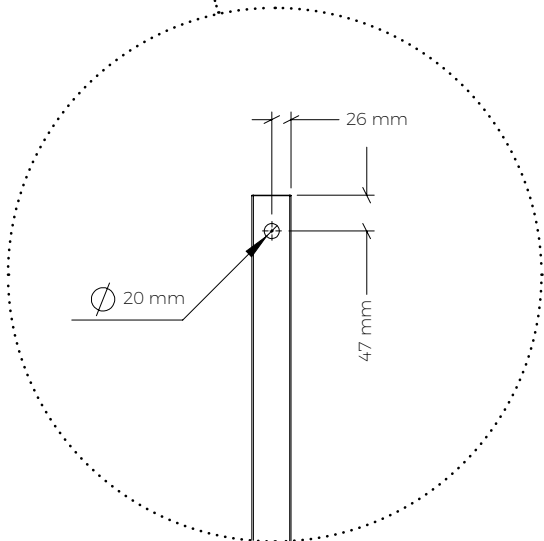
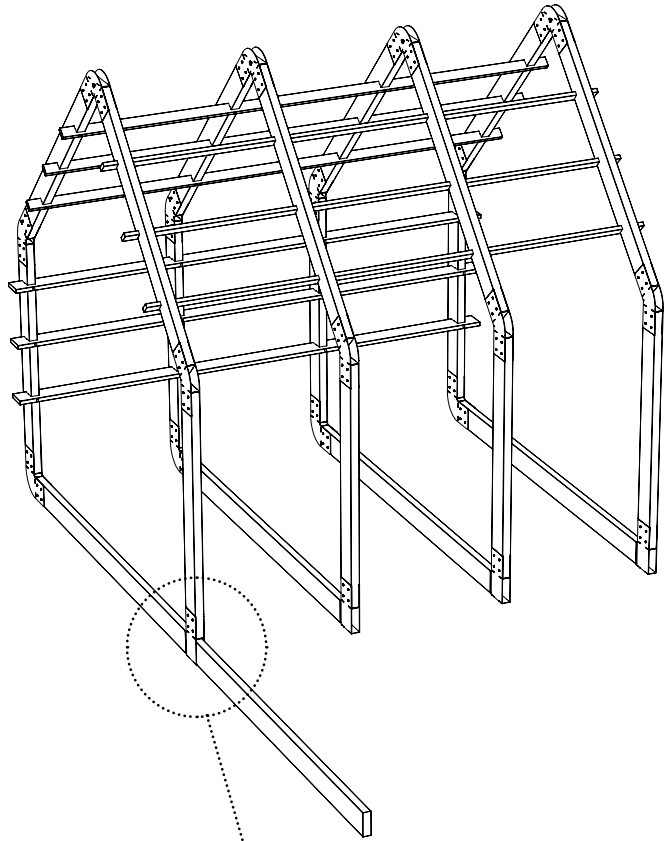
Repeat step one for the other arcs.



Step 3

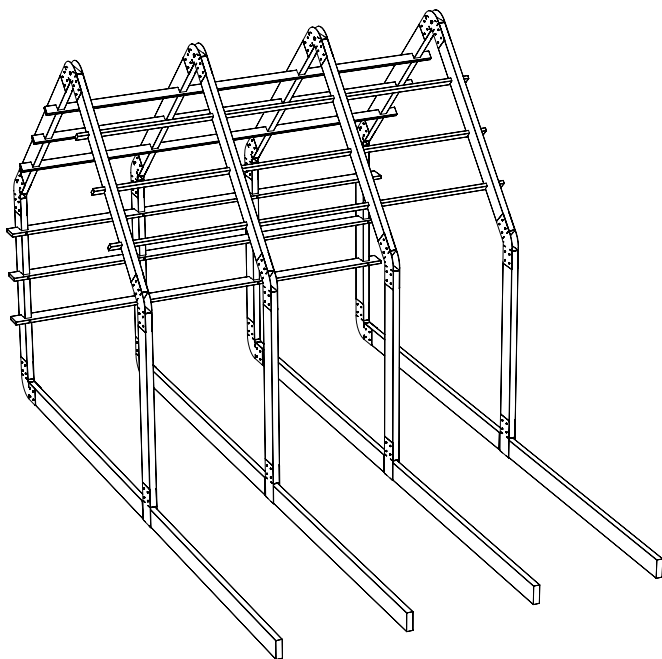
Place another type k beam through the straight connector and against the other beam.

When using a ground anchor, a hole of at least 20 mm needs to be drilled into the beam to make room for the head of the M10 bolt. The hole needs to be around 2 cm deep.



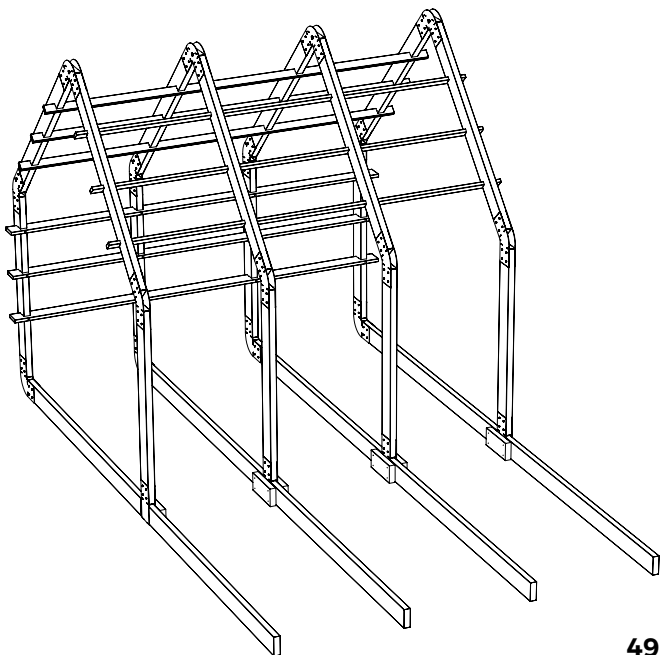
Step 4

Repeat step 3 for the other arcs.



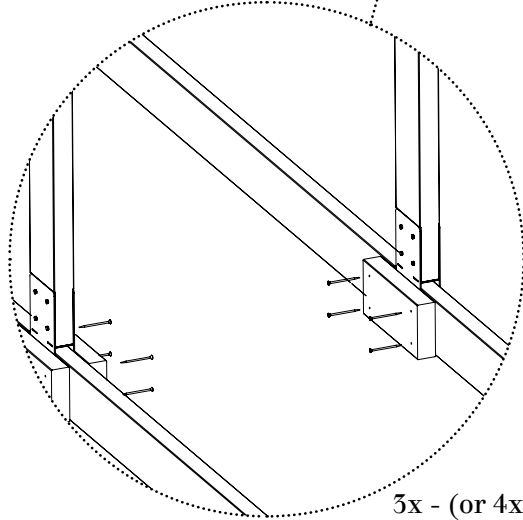
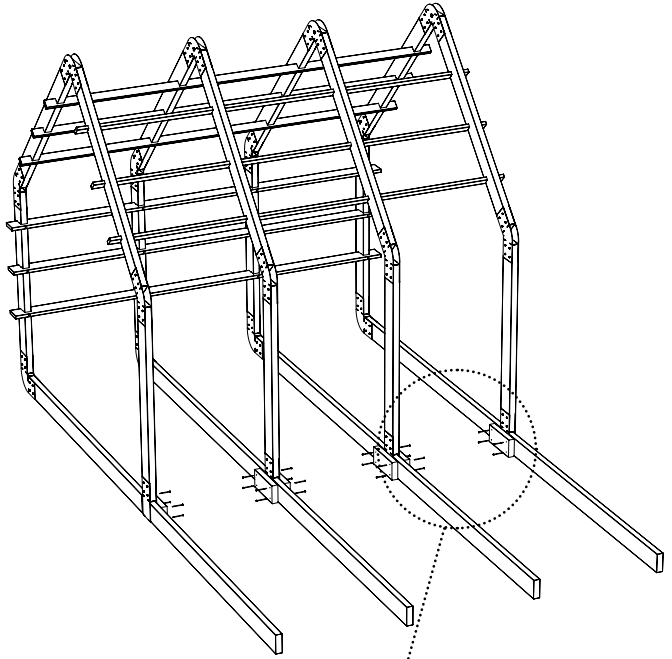
Step 5

Place the type L beams on the inside of the arcs, against the type d connectors.



Step 6

Secure the beams with four 6 x 90 mm screws in each beam.



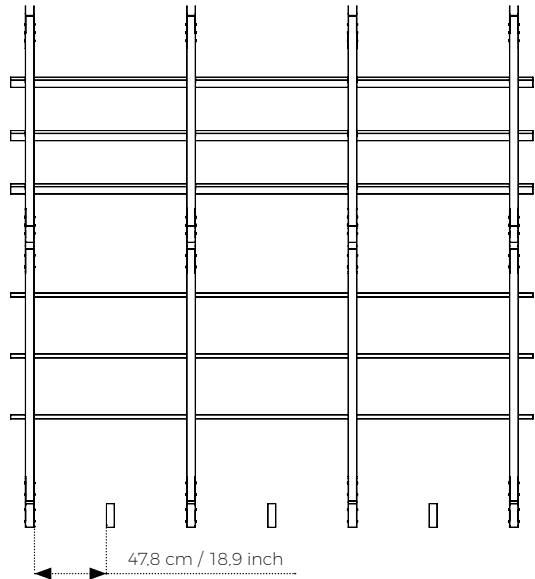
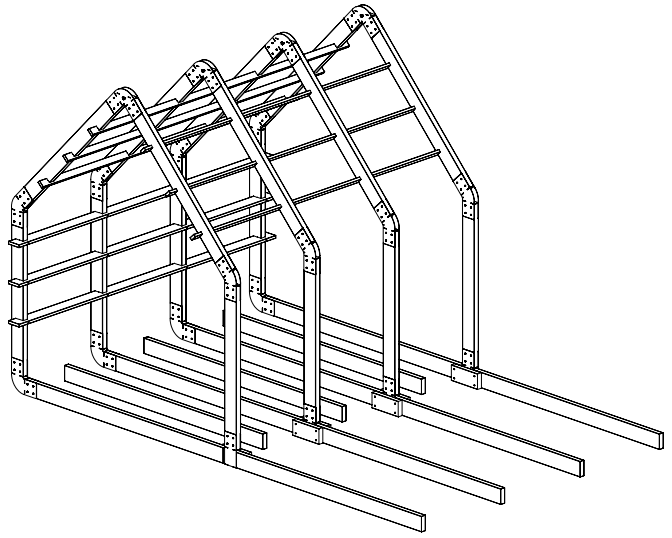
3x - (or 4x for 5 arcs)

Step 7

Between each floor beam on the inside of the house, place another floor beam.

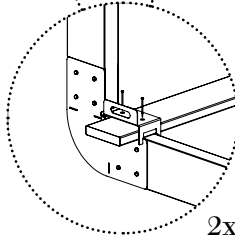
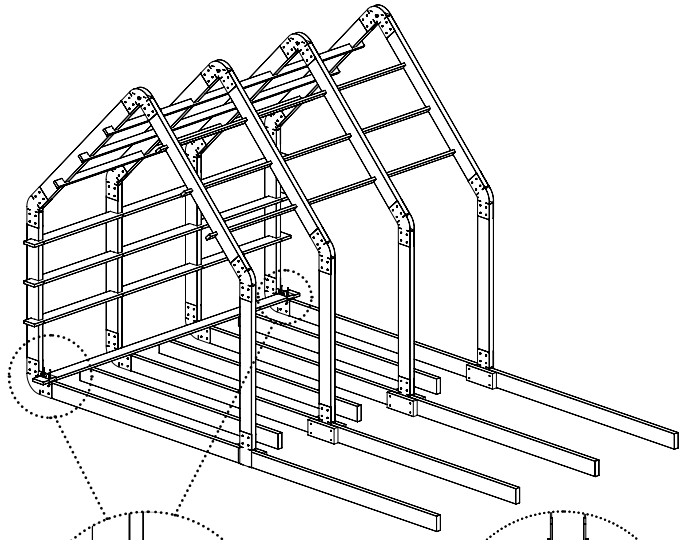
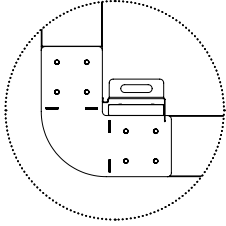
Make sure it has the right distance from the others. See the correct distance in the drawing on the right. Measure this for all the beams.

After measuring, make sure not to move the beams anymore.

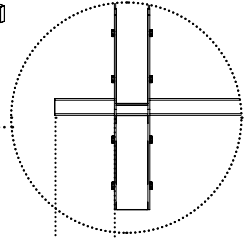


Step 8

Place the first floor board onto the beams. Determine the distance of the board to the beam by place the drill tool over the connector and against the beam. The floor board should fit in between. When the floor board is in the right place and overlaps both sides by 10 cm (or 3.93 inch) fixate with the 6 x 60 mm screws.



2x

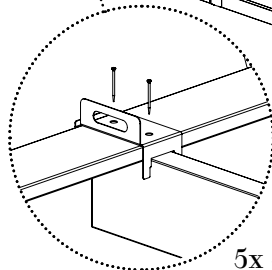
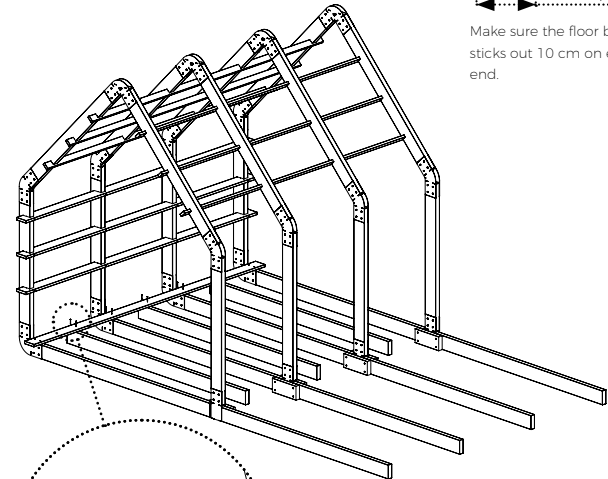


10 cm / 3.93 inch

Make sure the floor board sticks out 10 cm on each end.

Step 9

Screw the floor board to the other beams. You can use the drill tool to position the screws.

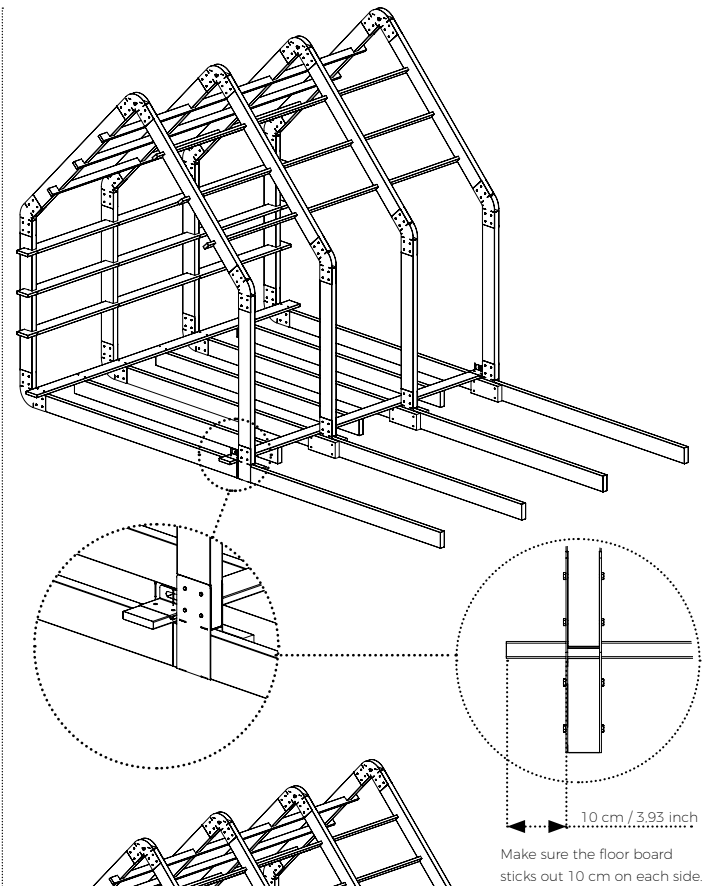


5x - (or 7x for 5 arcs)

Step 10

Place the second floor board onto the beams on the other side of the Framehouse. Use the drill tool to get the right distance from the beams. Make sure the board overlaps 10 cm on both sides.

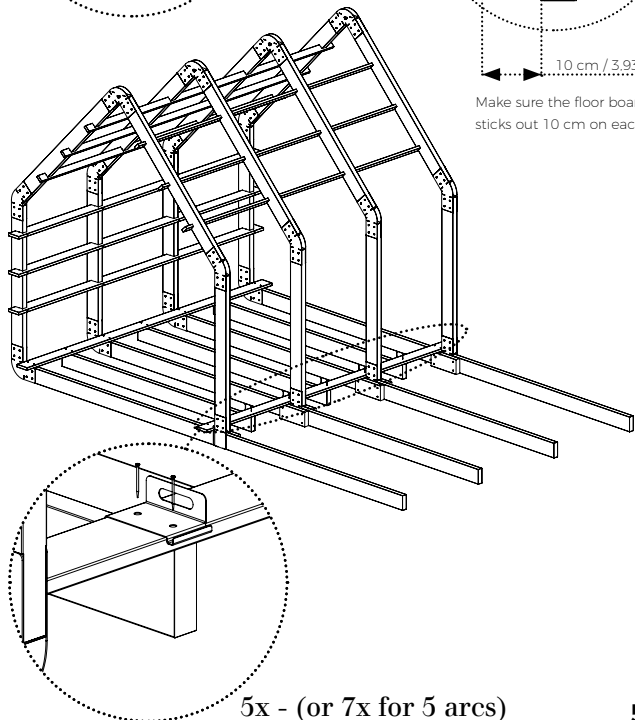
To start, only screw in the screws on both ends of the Framehouse.



Step 11

If the floor board is in the right place. Screw the floor board to the other beams. You can use the drill tool to position the screws.

After this step the floor beams on the inside of the house should not be able to move anymore.

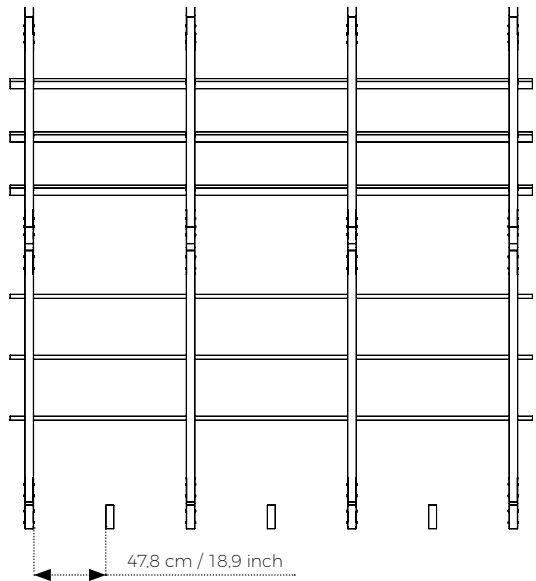
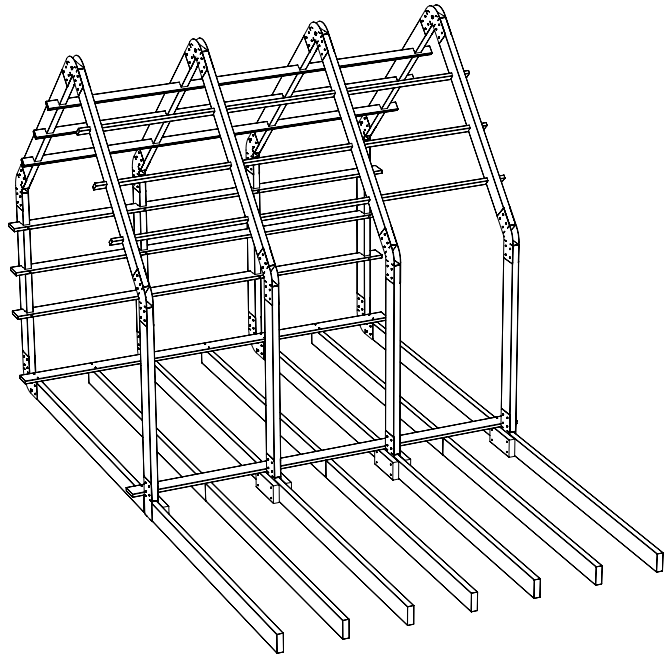


Step 12

Place the other type k beams in between each beam on the outside of the house.

Make sure each beam has the right distance from the others. Find the correct distance in the drawing on the right. Measure this for all the beams.

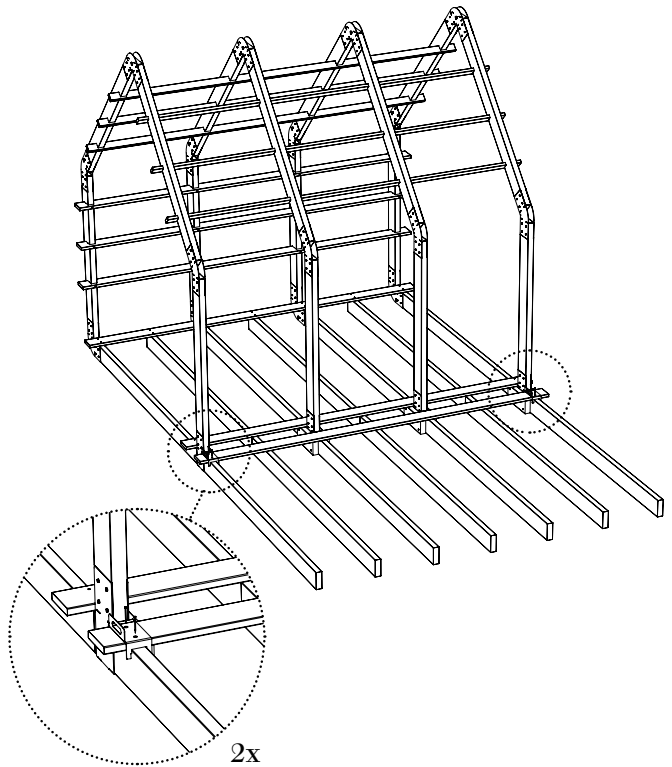
After measuring, make sure not to move the beams anymore.



Step 13

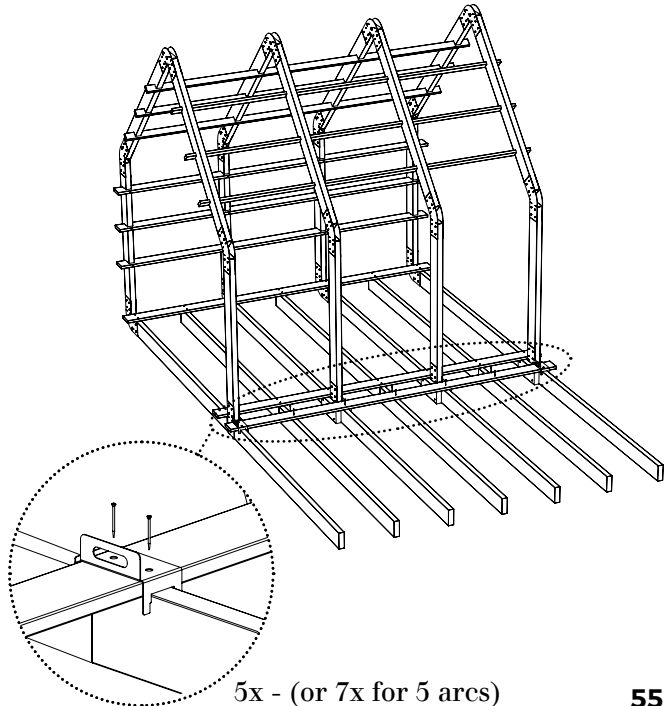
Place the first floor board on the outside beams. Determine the distance of the board to the beam by placing the drill tool over the connector and against the beam.

When the floor board is in the right place and overlaps both sides by 10 cm (or 3.93 inch), fixate with the 6 x 60 mm screws on both ends.



Step 14

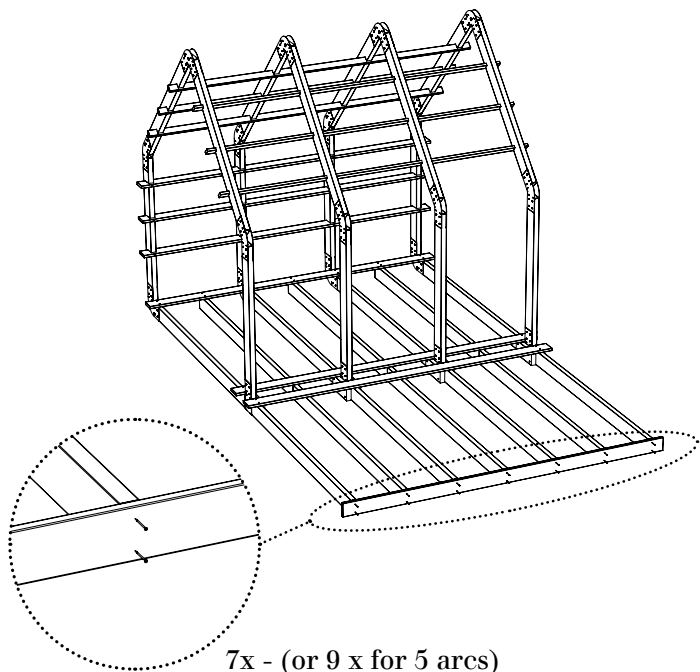
When the floor board is in the right place, screw the floor board to the other beams. You can use the drill tool to position the screws.



Step 15

When you are sure the type k beams are all in the right place, put a board on the front side of the beams.

Make sure it is level with the top of the beam and overlaps 10 cm on both sides. Then fixate with the 6 x 60 mm screw.

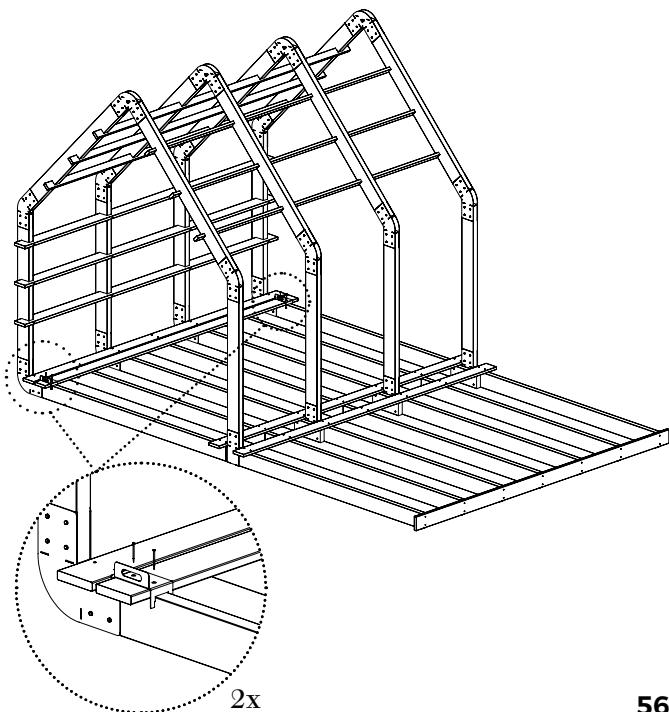


Step 16

Now place the third floor board on the inside of the house and screw it in place. Use the drill tool to get the correct distance between boards and the screw position. Fixate with the 6 x 60 mm screws.

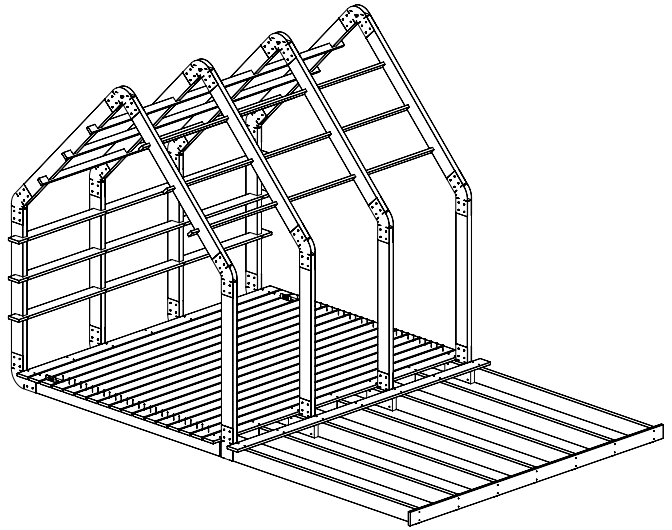
Note:

Only fixate it on both ends of the Framehouse. The rest of the screws will be put in later.



Step 17

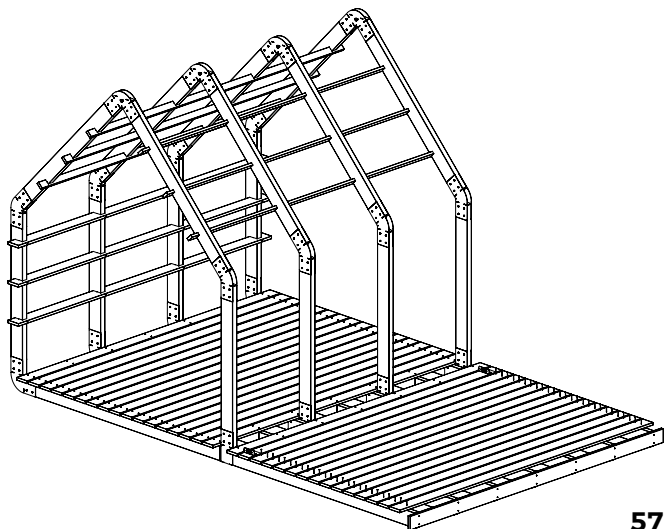
Repeat step 16 until all floor boards on the inside of the house are in place.



Step 18

Repeat for the floor on the outside of the house. Only screw in the screws on the outer ends of the boards. Use the drill tool for the position of the screws and to determine the distance from each other.

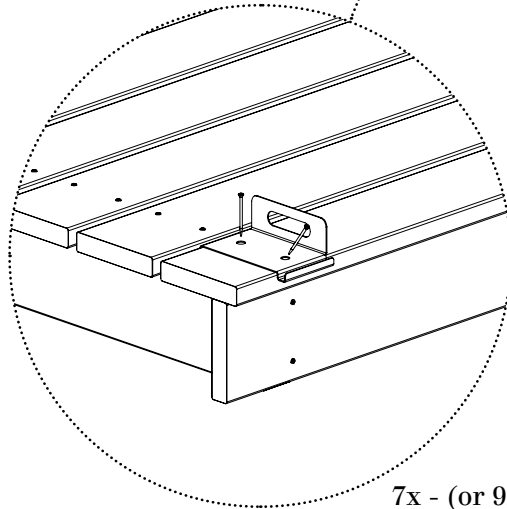
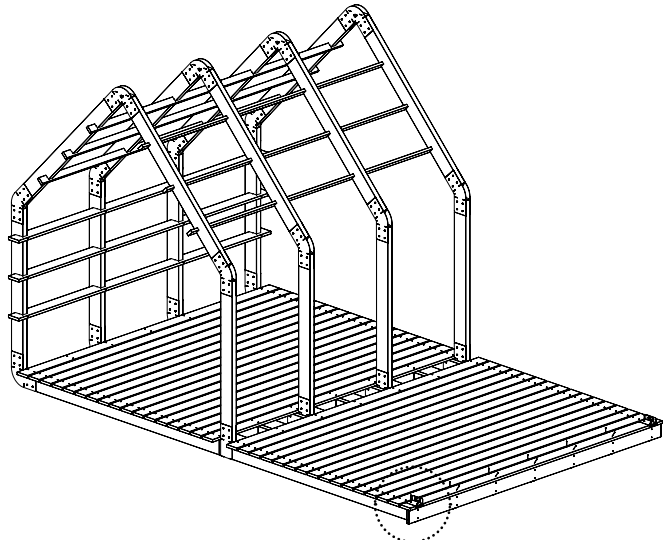
Do not place the last floorboard just yet.



Step 19

Place the last floor board onto the floor beams and determine the distance with the drill tool.

Because the last board overlaps on the end, the screw closest to the edge needs to be screwed in on an angle, otherwise it won't drill into the beam below.



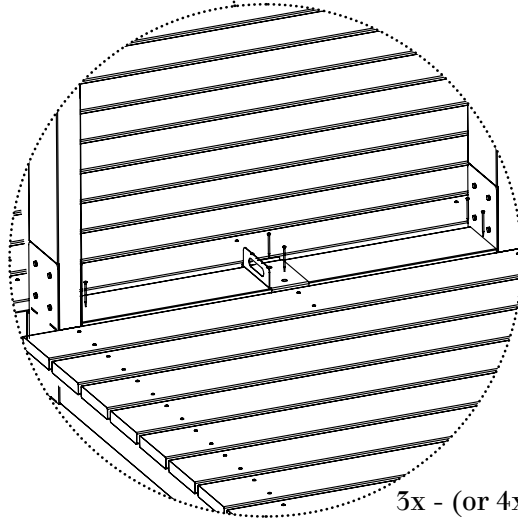
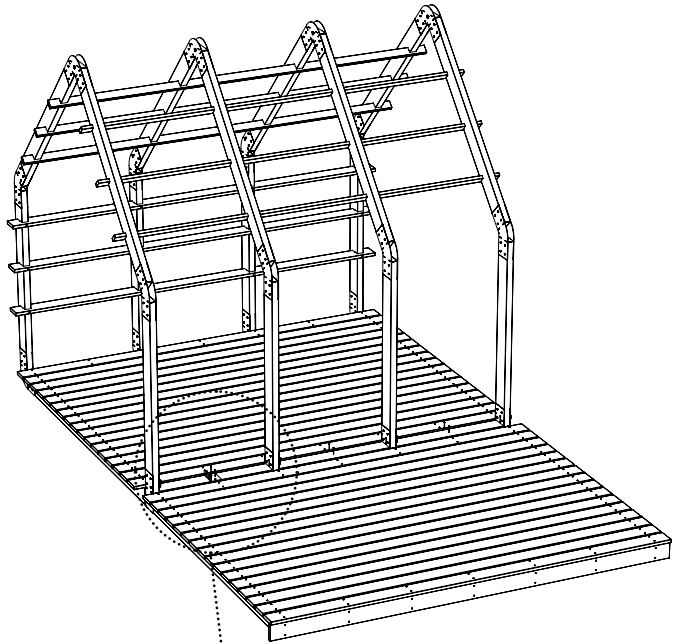
7x - (or 9x for 5 arcs)

Step 20

Place the short floor boards (type h) in between each arc of the Framehouse and fixate with six 6 x 60 mm screws.

Make sure the board has the same distance between each adjacent board.

For the screws in the middle you can use the drill tool to position the screws.

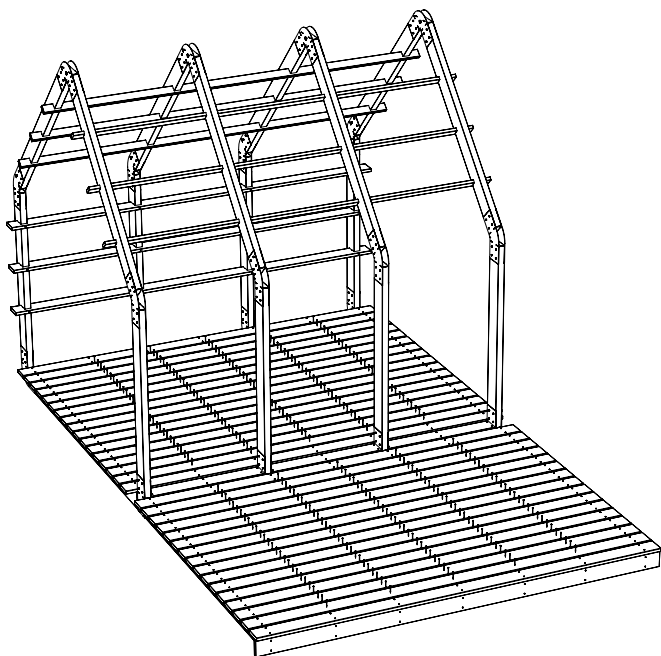


3x - (or 4x for 5 arcs)

Step 21

When all floor boards are positioned correctly and the distance in between is even between each board, screw in all the other screws: two 6 x 60 mm screws, for each crossing between floor board and floor beam. You can use the drill tool for the position of the screws.

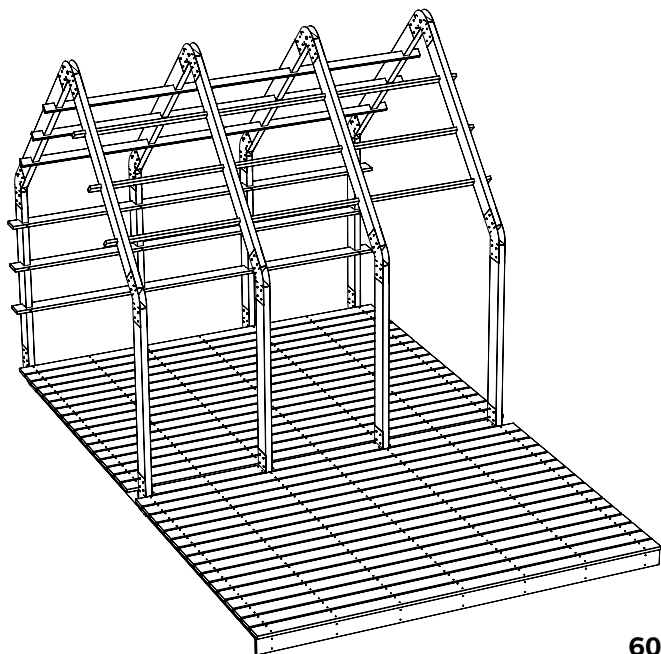
These screws help to keep the wooden floor boards from warping.



Step 21

The floor is now finished.

Proceed to page 61.

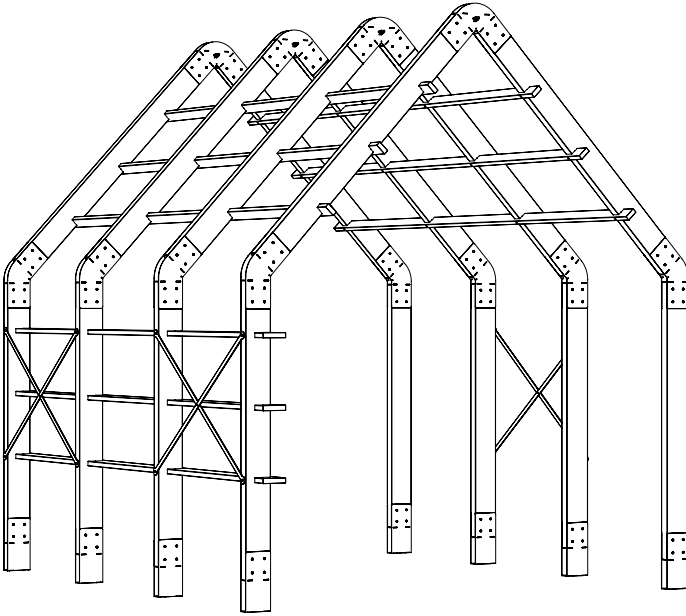


PLACING THE CROSSES

To make sure the Framehouse stays sturdy throughout all seasons, steel crosses need to be placed on the vertical beams. Find the different steps below.

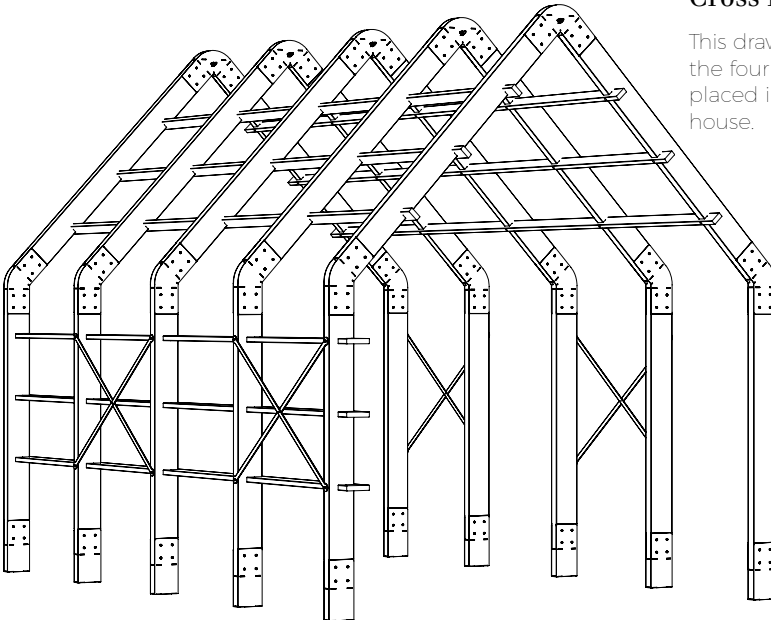
Cross location 4 arcs

This drawing shows where the three crosses need to be placed in the 4 arcs Framehouse.



Cross location 5 arcs

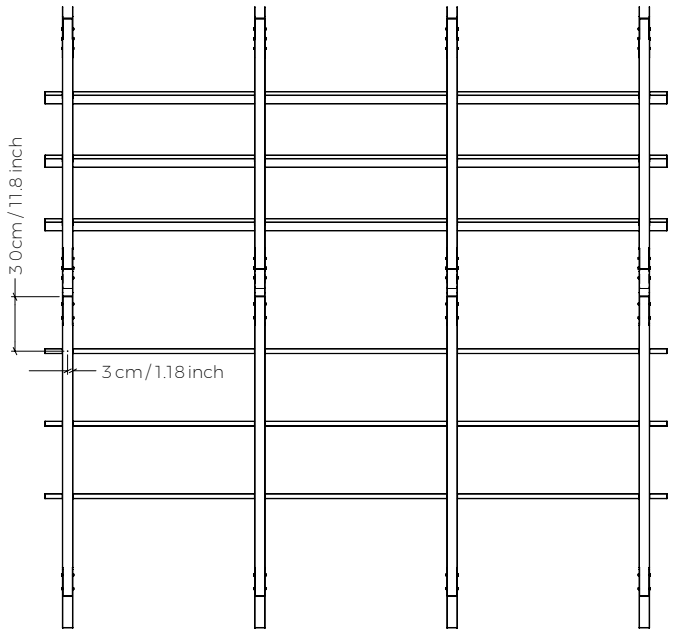
This drawing shows where the four crosses need to be placed in the 5 arcs Framehouse.



Step 1

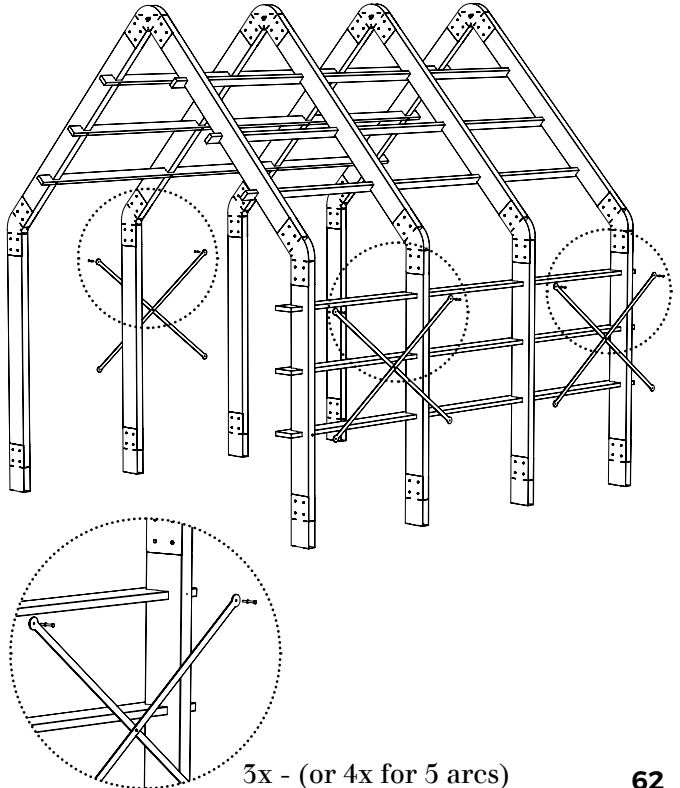
For the top holes of the crosses, mark each beam where the screw needs to go. The drawing on the previous page will show you on which beams a cross needs to be placed.

Pre-drill the marked holes with a 4 mm wood drill bit. Drill about 45 mm (or 1.8 inches) deep.



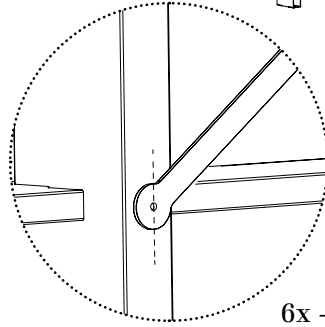
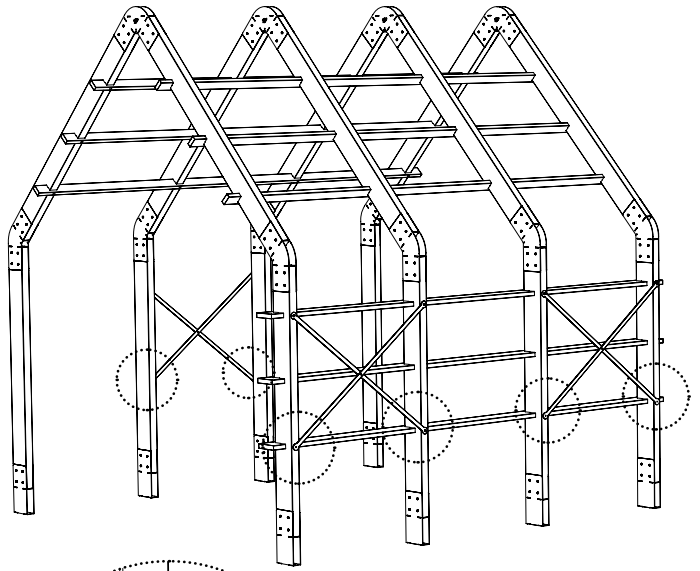
Step 2

Place the crosses and fixate with a 6 x 50 mm wood screw in the drilled holes. Don't forget to use the ring between the head of the screw and the cross.



Step 3

Make sure the bottom of the cross lines up in the middle of the beam and predrill with a 4 mm wood drill bit. Drill about 45 mm (or 1.8 inches) deep.

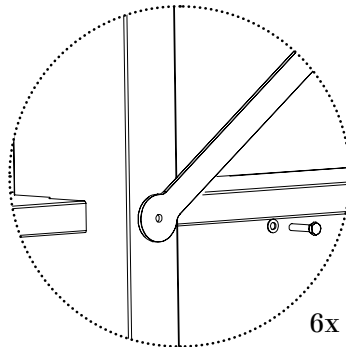


6x - (or 8x for 5 arcs)

Step 4

After the crosses are placed, the Framehouse is done.

When a roof was purchased continue on page 64.

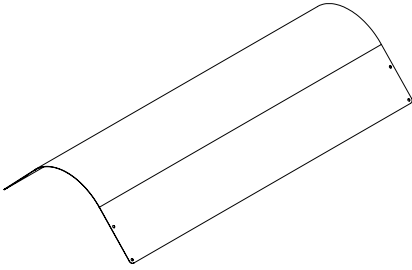


6x - (or 8x for 5 arcs)

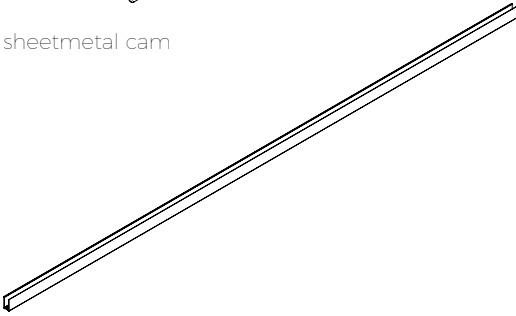
OPTIONAL - PLACE THE ROOF

It's optional to install a roof on to the Framehouse, this will provide a dry place outdoors during rainy days. Find the different steps below.

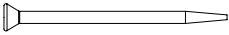
Components



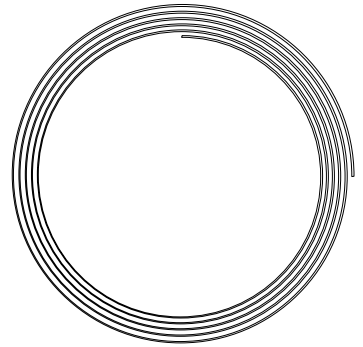
sheetmetal cam



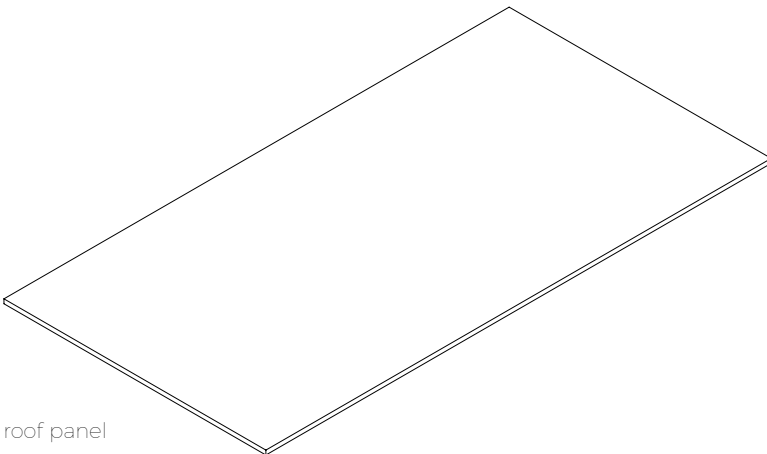
aluminum profile



wood screw 3 x 30 mm



rubber

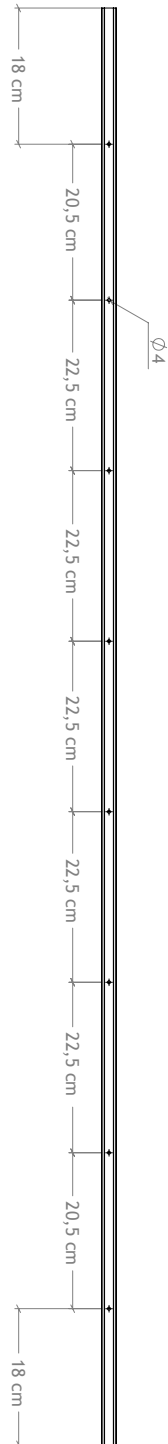


roof panel

Step 1

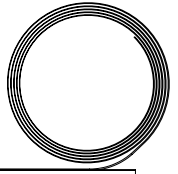
Pre drill the holes in the aluminum profile with a 4 mm drill on the locations as shown on the right.

Note: Start with the two holes on the outside of the profile.



Step 2

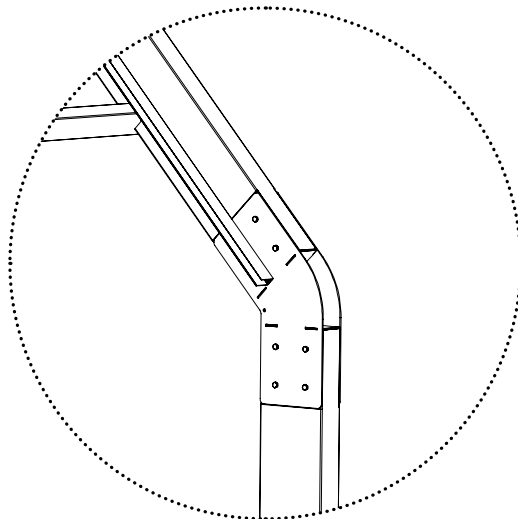
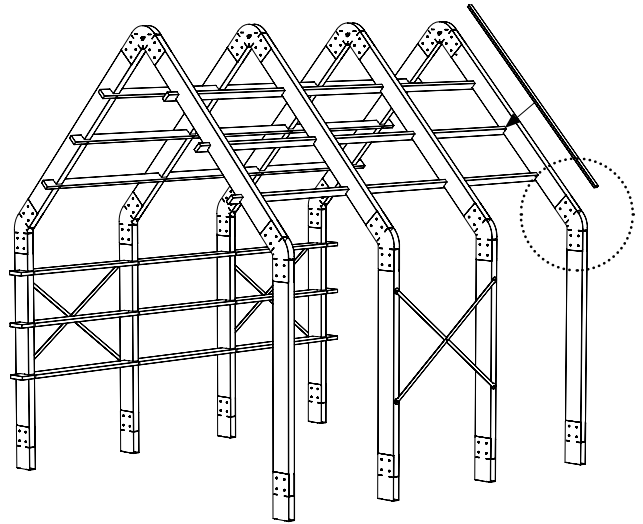
Tape the rubber to the back of the aluminum profiles and cut to length.



Step 3

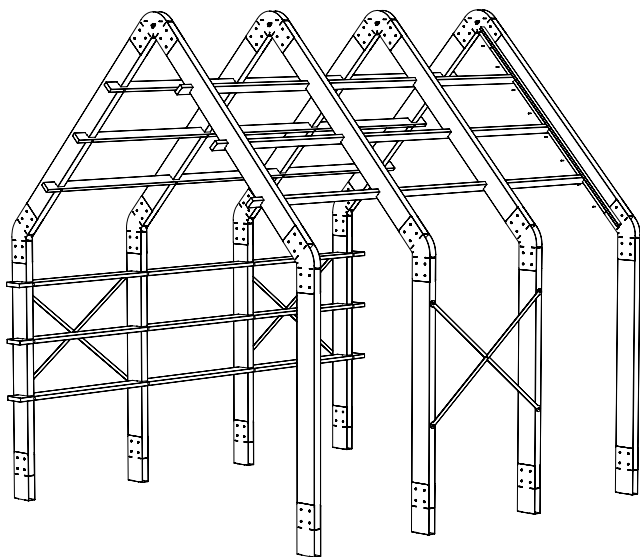
Place the first aluminum profile on to the framehouse.

It should lie on top of the roof purlins and be positioned with beginning and end at the welds of the connectors.



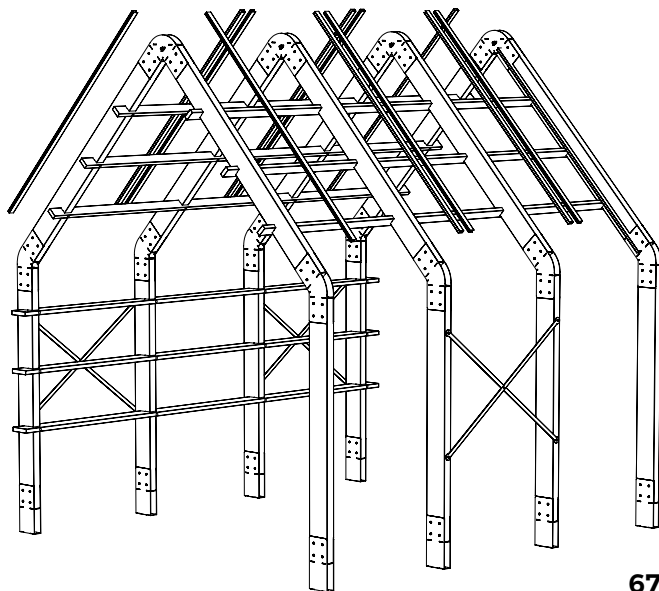
Step 4

Fix the profile to the wood using eight of the 3 x 30 mm wood screws.



Step 5

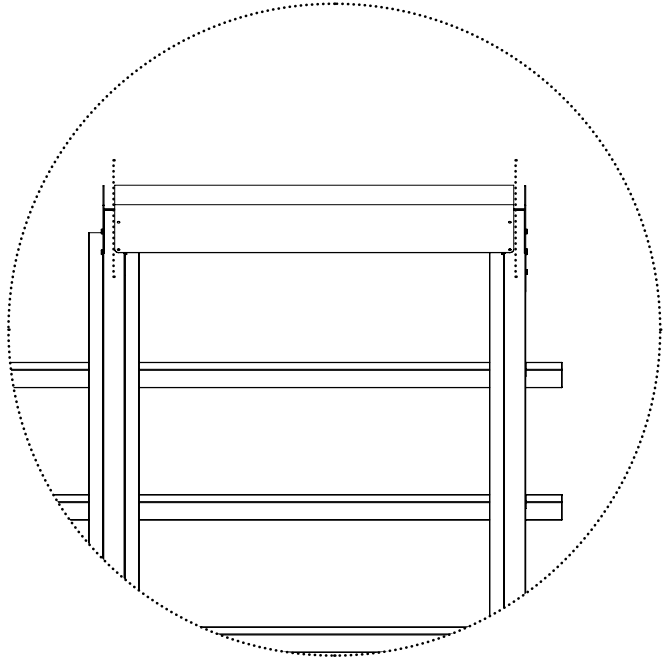
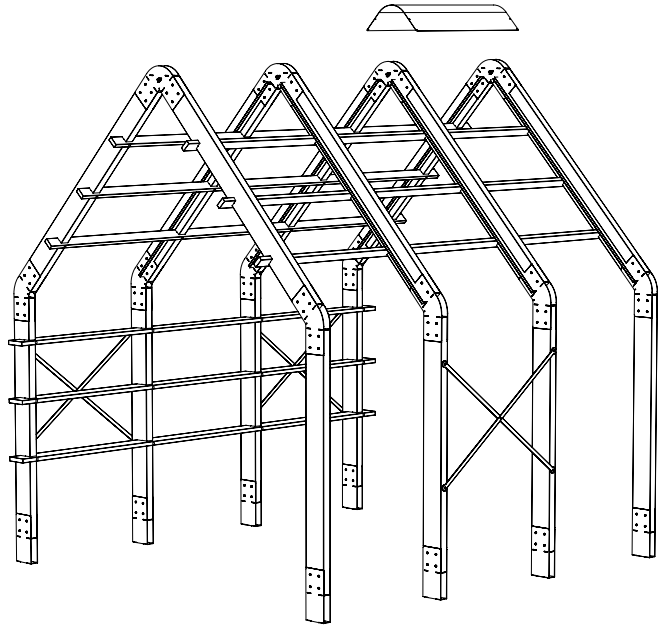
Place the other profiles using the same method as in step 1 - 4.



Step 6

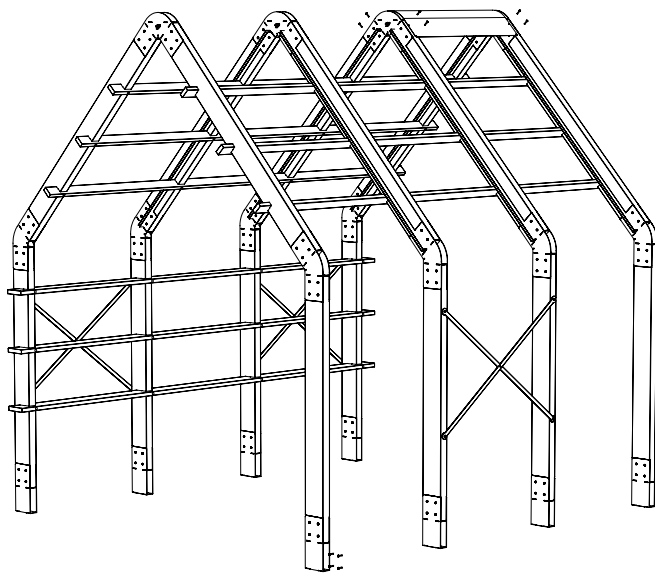
Place the first sheet metal cam on the Framehouse.

Make sure that the end is placed roughly in the middle of the wooden beam.



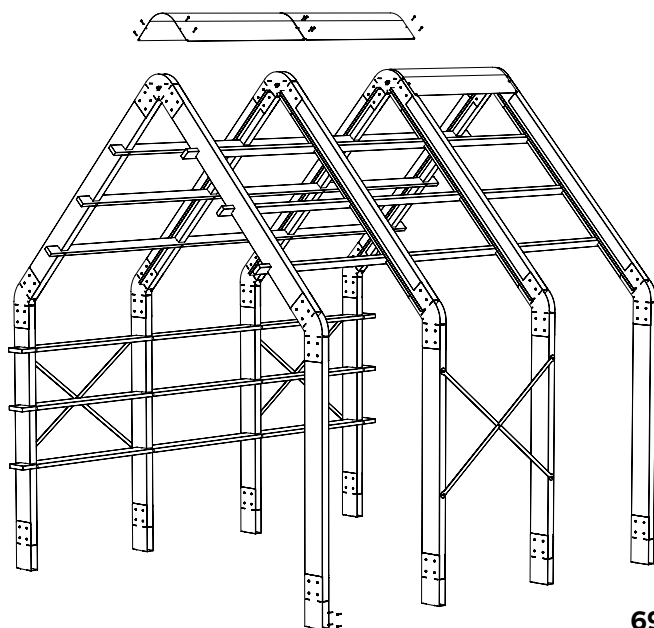
Step 7

Attach the sheetmetal cam to the Framehouse using the 6 x 30 mm screws.



Step 8

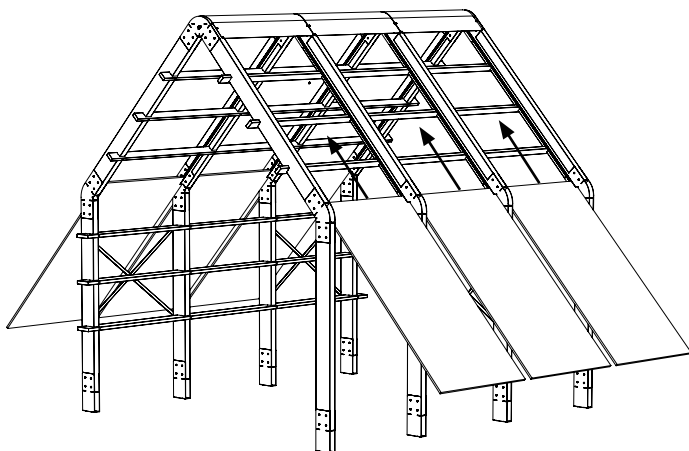
Place the other sheet metal cams using the same method.



Step 9

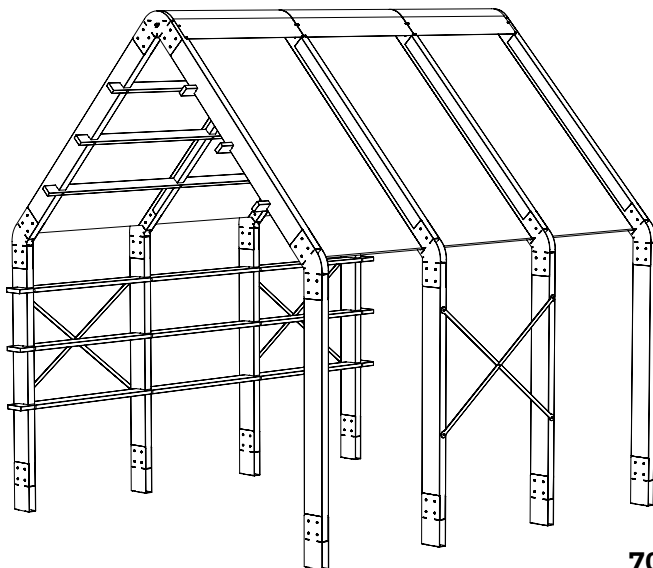
Now place the roof panels in to the profiles.

It can be useful to wet the edges of the panels with soapy water so that they glide more easily through the profiles.



Step 10

The Framehouse is now finished and ready to be used.



Bedankt voor je aankoop!

Weltevree levert kwaliteit

Mocht er toch iets mis zijn, dan bieden wij standaard een garantie van 1 jaar op problemen veroorzaakt door productiefouten.

Voorwaarden

De klant kan geen beroep doen op de garantie bij schade aan het product wanneer:

- a. de schade een gevolg is van normale slijtage.
- b. de schade een gevolg is van onjuist gebruik
- c. er geen of onjuist onderhoud is uitgevoerd.
- d. er wijzigingen of reparaties door de klant of door onprofessionele derden zijn gedaan.
- e. de schade is veroorzaakt door brand, bliksem, overstromingen, natuurrampen en ontploffingen.
- f. de schade het gevolg is van enig overheidsvoorschrift inzake de aard of de kwaliteit van de toegepaste materialen.

Algemene voorwaarden

Raadpleeg voor meer informatie onze algemene voorwaarden op: <https://www.weltevree.eu/nl/general-conditions/>

1.1 Contact

Address

Weltevree
Nijverheidsweg-Noord 40a
3812 PM Amersfoort
The Netherlands

Thank you for your purchase!

Weltevree delivers quality

Nonetheless, if you encounter any problems with your product, we offer a standard 1-year warranty on issues caused by a manufacturers defect.

Conditions

The customer can not claim the warranty for damages to the product when:

- a. the damage is the result of normal wear and tear.
- b. the damage is the result of misuse.
- c. the product is improper maintained.
- d. the damage is the result of modifications and repairs by the customer or by third unprofessional parties.
- e. the damage is caused by fire, lightning, floods, natural disasters and explosions.
- f. the damage is the result of any government regulation regarding the nature or quality of the materials used.

General conditions

For more information please read our general conditions at: <https://www.weltevree.eu/general-conditions/>

Telephone

+31 (0) 33 2037037

E-mail

info@weltevree.nl

WARRANTY

Vielen Dank für Ihren Einkauf!

Weltevree liefert Qualität

Gibt es etwas an Ihrem Produkt zu beanstanden, was auf einen Defekt in der Herstellung zurückzuführen ist, gilt eine 1 Jahre Hersteller Garantie.

Bedingungen

Die Garantie für Schäden am Produkt greift nicht bei:

- a. Normalen Gebrauchsspuren und normalem Verschleiß.
- b. Entstandenem Schaden durch unsachgemäßem Gebrauch.
- c. Schäden durch unsachgemäße Pflege.
- d. Änderungen oder Reparaturen die am Produkt durch Sie oder unprofessionelle Dritte vorgenommen wurden
- e. Schäden, die durch Feuer, Blitzschlag, Hochwasser, Naturkatastrophen und Explosionen entstanden sind.
- f. Schäden, welche durch staatliche Regulierung in Bezug auf die Art oder die Qualität der verwendeten Materialien entstanden sind.

Allgemeinen

Geschäftsbedingungen


Weitere Information finden Sie in unsere Allgemeinen Geschäftsbedingungen unter: <https://www.weltevree.eu/de/agb/>

www.weltevree.nl

 - facebook.com/weltevree

 - twitter.com/weltevree

 - instagram.com/weltevree

 - pinterest.com/weltevreeshop

© Weltevree®

‘activating
people & places’
— *Welteoree*®